

# EUROCRAFT INDUSTRIES INC.

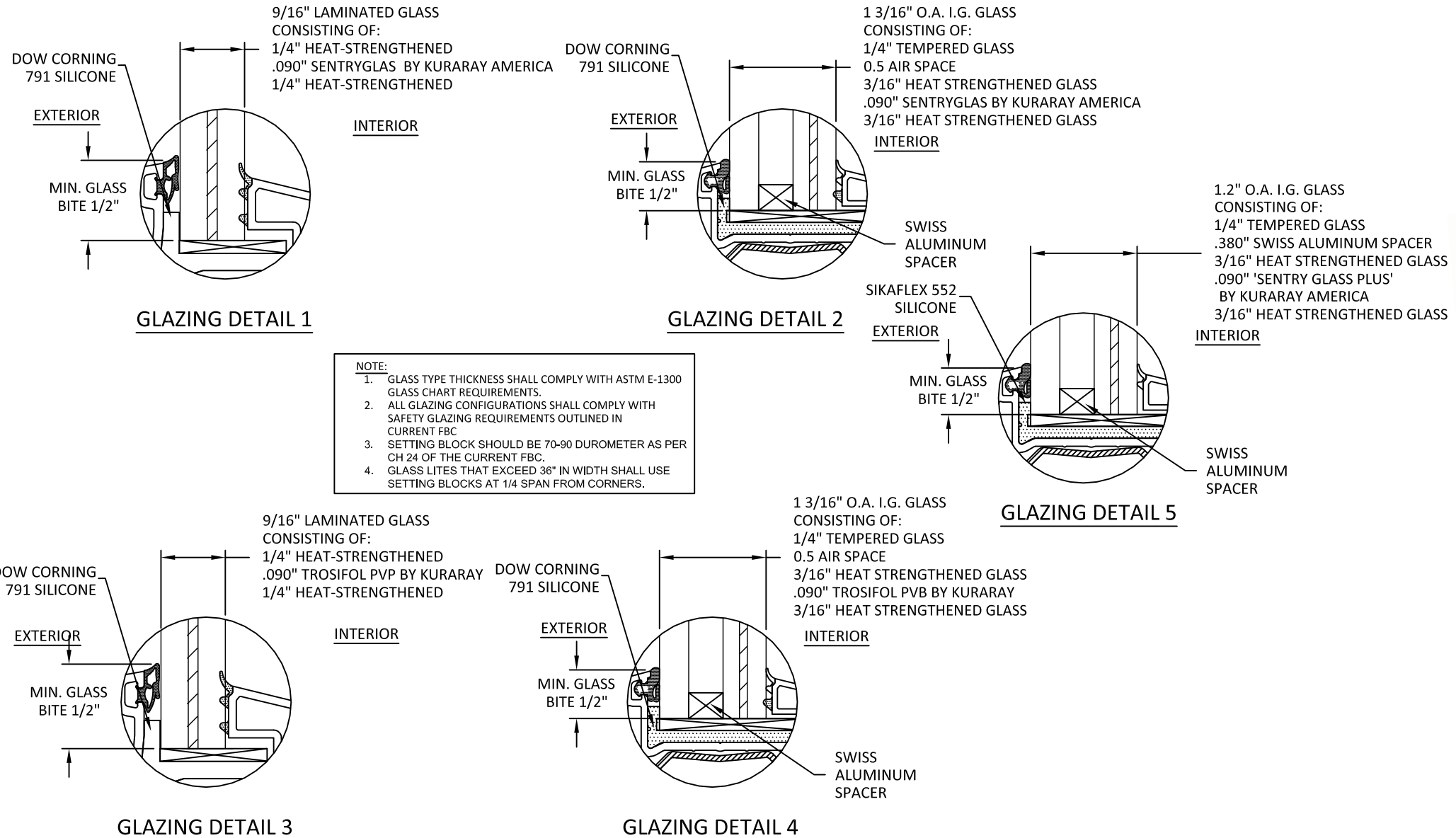
## 88MD LIFT AND SLIDE DOOR (IMPACT) (HVHZ)

### GENERAL NOTES:

- THE PRODUCT SHOWN HEREIN IS DESIGNED AND MANUFACTURED TO COMPLY WITH THE CURRENT EDITION FLORIDA BUILDING CODE (FBC), INCLUDING HVHZ AND HAS BEEN EVALUATED ACCORDING TO THE FOLLOWING:
  - TAS 201-94
  - TAS 202-94
  - TAS 203-94
- ADEQUACY OF THE EXISTING STRUCTURAL CONCRETE/MASONRY, 2X FRAMING, AND METAL FRAMING AS A MAIN WIND FORCE RESISTING SYSTEM CAPABLE OF WITHSTANDING AND TRANSFERRING APPLIED PRODUCT LOADS TO THE FOUNDATION IS THE RESPONSIBILITY OF THE ENGINEER OR ARCHITECT OF RECORD FOR THE PROJECT OF INSTALLATION.
- 1X AND 2X BUCKS (WHEN USED) SHALL BE DESIGNED AND ANCHORED TO PROPERLY TRANSFER ALL LOADS TO THE STRUCTURE. BUCK DESIGN AND INSTALLATION IS THE RESPONSIBILITY OF THE ENGINEER OR ARCHITECT OF RECORD FOR THE PROJECT OF INSTALLATION.
- INSTALL INDIVIDUAL INSTALLATION ANCHORS WITHIN A TOLERANCE OF ±1/4 INCH OF THE DEPICTED LOCATION IN THE ANCHOR LAYOUT DETAIL (I.E., WITHOUT CONSIDERATION OF TOLERANCES). TOLERANCES ARE NOT CUMULATIVE FROM ONE INSTALLATION ANCHOR TO THE NEXT.
- THE INSTALLATION DETAILS DESCRIBED HEREIN ARE GENERIC AND MAY NOT REFLECT ACTUAL CONDITIONS FOR A SPECIFIC SITE. IF SITE CONDITIONS CAUSE INSTALLATION TO DEVIATE FROM THE REQUIREMENTS DETAILED HEREIN, A LICENSED ENGINEER OR ARCHITECT SHALL PREPARE SITE SPECIFIC DOCUMENTS FOR USE WITH THIS DOCUMENT IN NON-HVHZ AREAS. IN HVHZ AREAS, ONE TIME PRODUCT APPROVAL TO BE OBTAINED FROM MIAMI-DADE RER OR AHJ.
- APPROVED IMPACT PROTECTIVE SYSTEM **IS NOT REQUIRED** ON THIS PRODUCT IN AREAS REQUIRING IMPACT RESISTANCE.
- WINDOW FRAME MATERIAL: RIGID PVC
- GLASS MEETS THE REQUIREMENTS OF ASTM E 1300 GLASS CHARTS. SEE SHEET 1 FOR GLAZING DETAILS.
- APPROVED CONFIGURATIONS:
  - 2 PANEL - OX, XO, XX
  - 3 PANEL - XO, OXO, OXX, XXO
  - 4 PANEL - OXXO

TABLE OF CONTENTS		
SHEET	REVISION	SHEET DESCRIPTION
1	-	INSTALLATION AND GENERAL NOTES
2	-	ELEVATIONS & ANCHOR LAYOUTS
3	-	ELEVATIONS & ANCHOR LAYOUTS
4	-	VERTICAL SECTIONS
5	-	HORIZONTAL SECTIONS
6	-	INSTALLATION NOTES, REINFORCEMENT & ANCHOR DETAILS
7	-	GLASS LOAD CAPACITIES
8	-	BILL OF MATERIALS

MAX OVERALL SIZE		CONFIG.	DESIGN PRESSURE	MISSILE IMPACT RATING	GLAZING
WIDTH	HEIGHT				
180"	96"	OX	+/- 55 PSF	LMI	GLZ 5
256"	114"	OXXO	+/- 55 PSF	LMI	GLZ 5
110"	120"	OX	+/- 120 PSF	LMI	GLZ 1-4
220"	120"	OXXO	+/- 120 PSF	LMI	GLZ 1-4

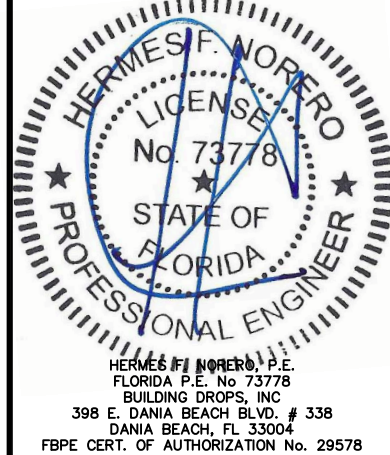


7905 NW 77TH AVE  
MEDLEY, FL 33166  
PH: (305) 888-5718 FX: (305) 220-5073

TITLE: 88MD LIFT AND SLIDE DOOR (IMPACT)(HVHZ)  
 INSTALLATION & GENERAL NOTES  
 PREPARED BY: BUILDING DROPS, INC.  
 398 E. DANIA BEACH BLVD., STE. 338  
 DANIA BEACH, FL 33004  
 PH: (954)399-8478  
 FAX: (954)744-4738  
 WEB: www.buildingdrops.com

REMARKS	BY	DATE

THE INSTALLATION DETAILS DESCRIBED HEREIN ARE GENERIC AND MAY NOT REFLECT ACTUAL CONDITIONS FOR A SPECIFIC SITE. IF SITE CONDITIONS CAUSE INSTALLATION TO DEVIATE FROM THE REQUIREMENTS DETAILED HEREIN, A LICENSED ENGINEER OR ARCHITECT SHALL PREPARE SITE SPECIFIC DOCUMENTS FOR USE WITH THIS DOCUMENT.



FL #: **FL12092**  
 DATE: **05.02.19**  
 DWG. BY: **EG** CHK. BY: **HFN**  
 SCALE: **NTS**  
 DWG. #: **ECI010**  
 SHEET: **1** OF 8



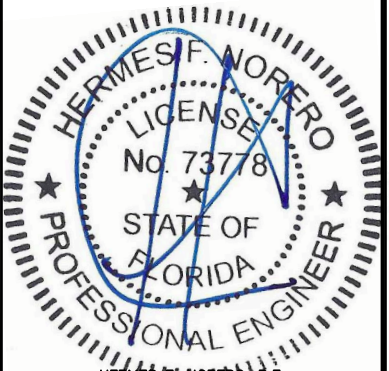
7905 NW 77TH AVE  
 MEDLEY, FL 33166  
 PH: (305) 888-5718 FX: (305) 220-5073

TITLE: 88MD LIFT AND SLIDE DOOR  
 (IMPACT)(HVHZ)  
 ELEVATIONS AND  
 ANCHOR LAYOUTS

PREPARED BY:  
  
**BUILDING DROPS, INC.**  
 398 E. DANIA BEACH BLVD., STE. 338  
 DANIA BEACH, FL 33004  
 PH: (954)399-8478  
 FAX: (954)744-4738  
 WEB: www.buildingdrops.com

REMARKS	BY	DATE

THE INSTALLATION DETAILS DESCRIBED HERE IN ARE GENERIC AND MAY NOT REFLECT ACTUAL CONDITIONS FOR A SPECIFIC SITE. IF SITE CONDITIONS CAUSE INSTALLATION TO DEVIATE FROM THE REQUIREMENTS DETAILED HEREIN, A LICENSED ENGINEER OR ARCHITECT SHALL PREPARE SITE SPECIFIC DOCUMENTS FOR USE WITH THIS DOCUMENT.



HERMES F. NORERO, P.E.  
 FLORIDA P.E. No. 73778  
 BUILDING DROPS, INC  
 398 E. DANIA BEACH BLVD. # 338  
 DANIA BEACH, FL 33004  
 FBPE CERT. OF AUTHORIZATION No. 29578

FL #: **FL12092**

DATE: **05.02.19**

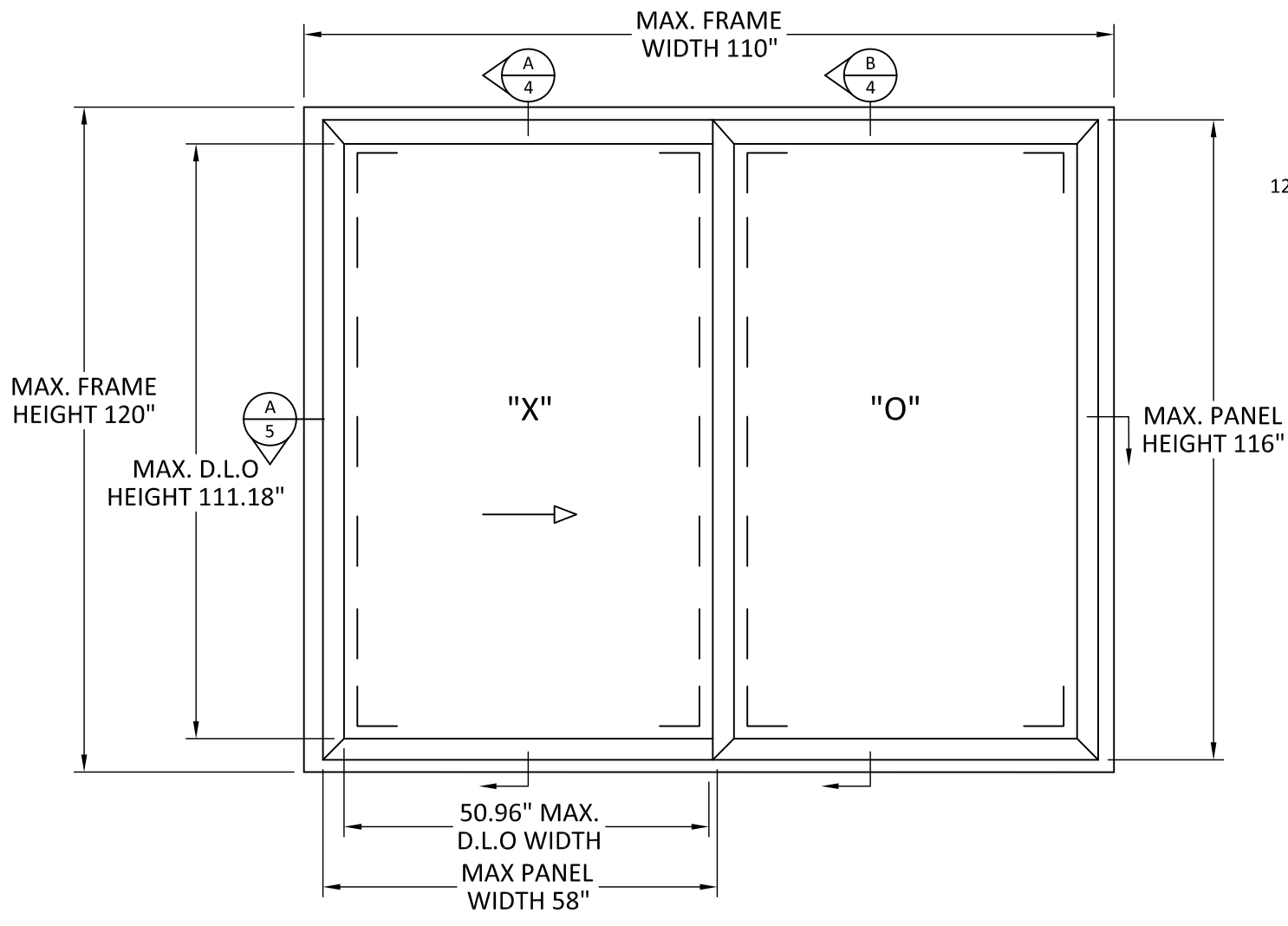
DWG. BY: **EG**      CHK. BY: **HFN**

SCALE: **NTS**

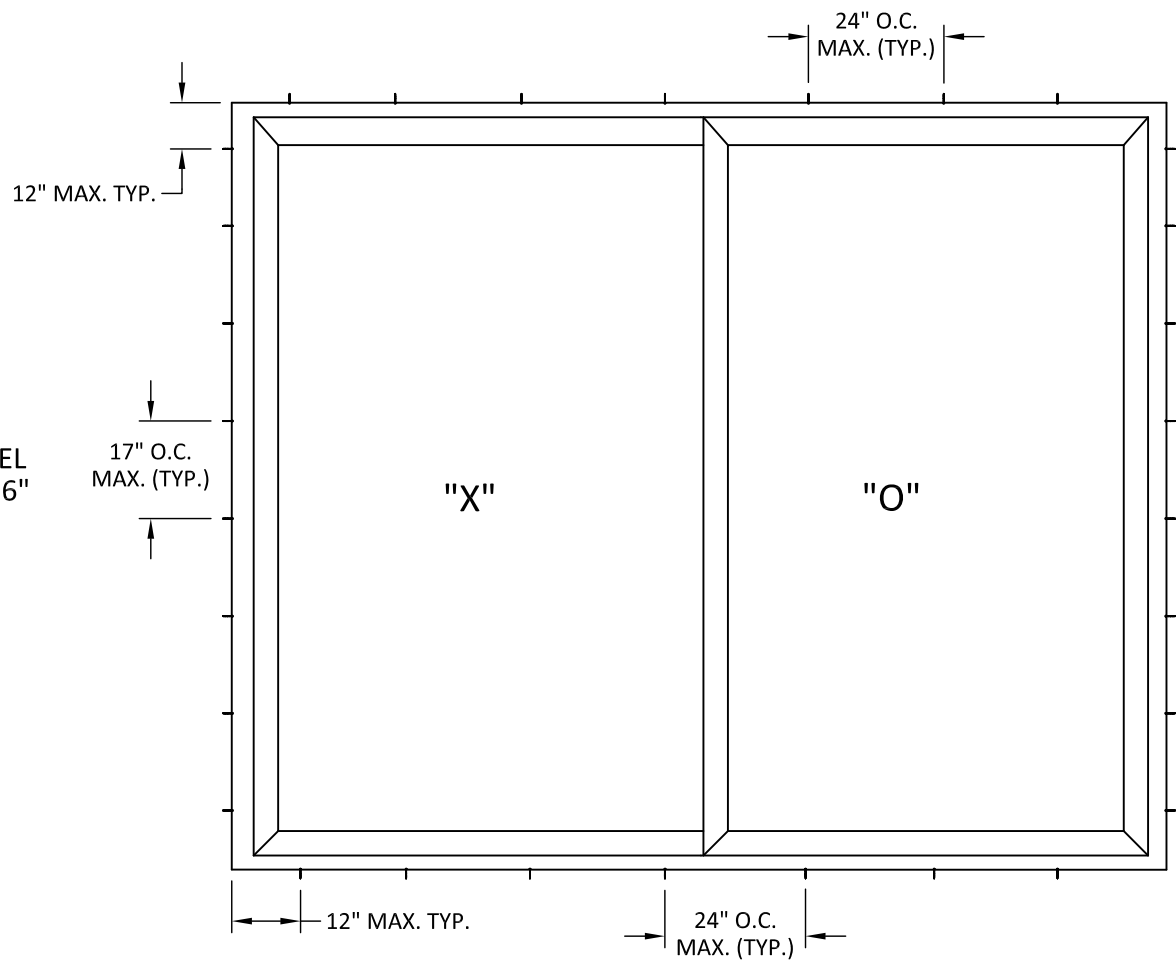
DWG. #: **ECI010**

SHEET: **2**

OF 8



**ELEVATION**  
 LIFT AND SLIDE DOOR



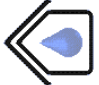
**ELEVATION**  
 ANCHOR LAYOUT - THROUGH FRAME

s:\projects\eurowcraft\industries\inc\ybc-19-0320 - fbc submittal - fl12092, fl27614, fl27615 - revision\dwg\lift and slide\ec1010 - 18.dwg 6/10/2019 4:06 PM



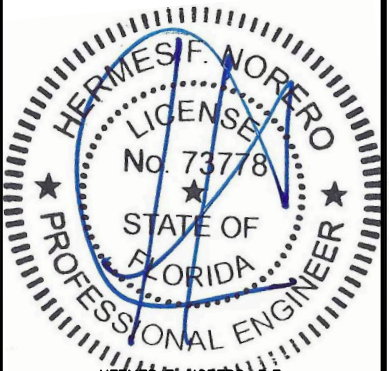
7905 NW 77TH AVE  
MEDLEY, FL 33166  
PH: (305) 888-5718 FX: (305) 220-5073

TITLE: 88MD LIFT AND SLIDE DOOR  
(IMPACT)(HVHZ)  
ELEVATIONS AND  
ANCHOR LAYOUTS

PREPARED BY:  
  
**BUILDING DROPS, INC.**  
398 E. DANIA BEACH BLVD., STE. 338  
DANIA BEACH, FL 33004  
PH: (954)399-8478  
FAX: (954)744-4738  
WEB: www.buildingdrops.com

REMARKS	BY	DATE

THE INSTALLATION DETAILS DESCRIBED HERE IN ARE GENERIC AND MAY NOT REFLECT ACTUAL CONDITIONS FOR A SPECIFIC SITE. IF SITE CONDITIONS CAUSE INSTALLATION TO DEVIATE FROM THE REQUIREMENTS DETAILED HEREIN, A LICENSED ENGINEER OR ARCHITECT SHALL PREPARE SITE SPECIFIC DOCUMENTS FOR USE WITH THIS DOCUMENT.



HERMES F. NORERO, P.E.  
FLORIDA P.E. No. 73778  
BUILDING DROPS, INC  
398 E. DANIA BEACH BLVD. # 338  
DANIA BEACH, FL 33004  
FBPE CERT. OF AUTHORIZATION No. 29578

FL #: **FL12092**

DATE: **05.02.19**

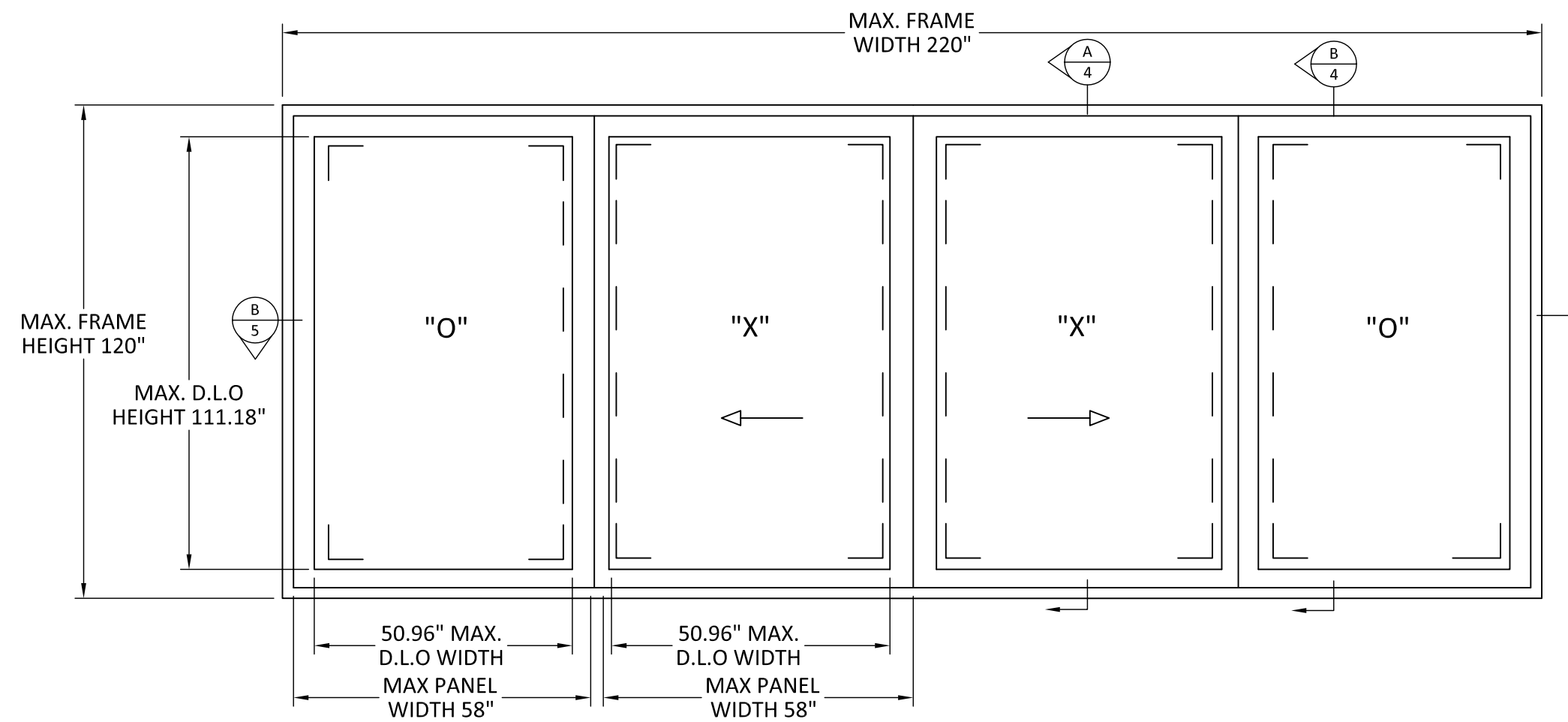
DWG. BY: **EG**      CHK. BY: **HFN**

SCALE: **NTS**

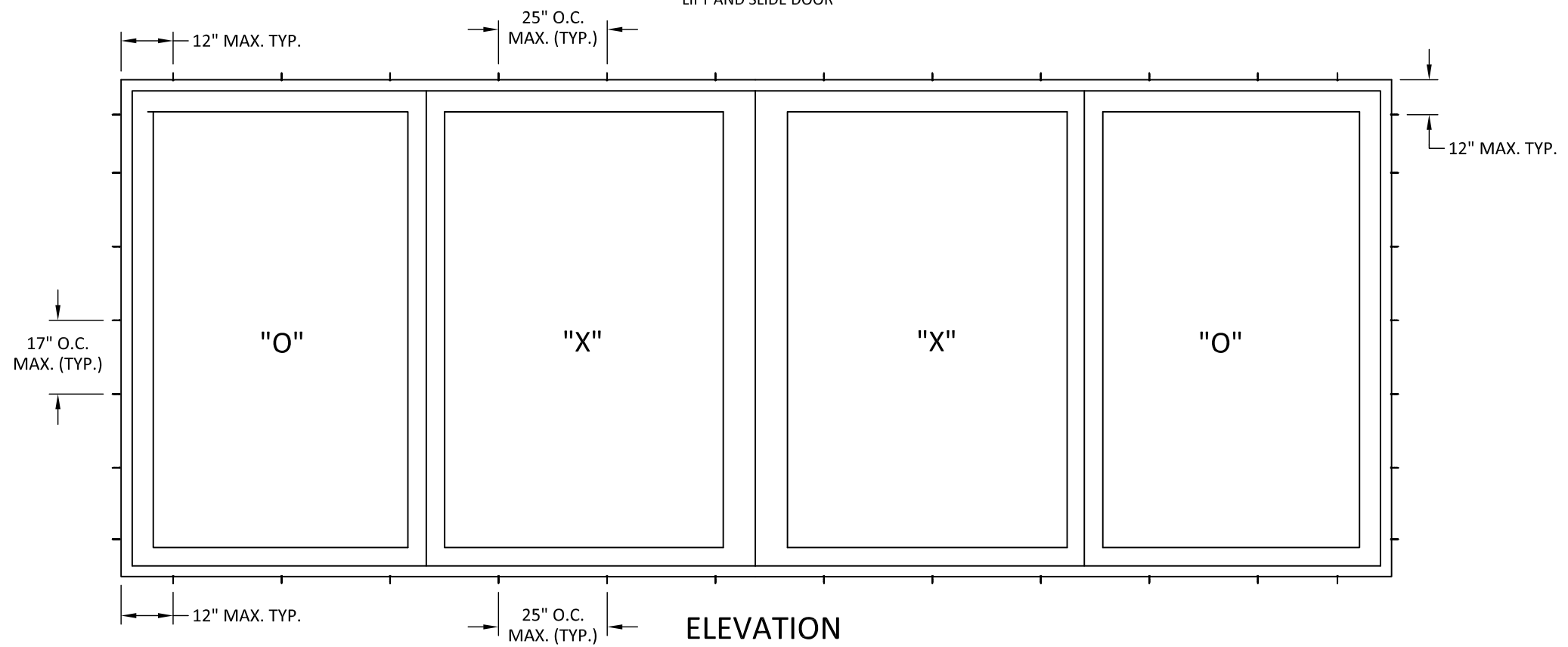
DWG. #: **ECI010**

SHEET: **3**

OF 8



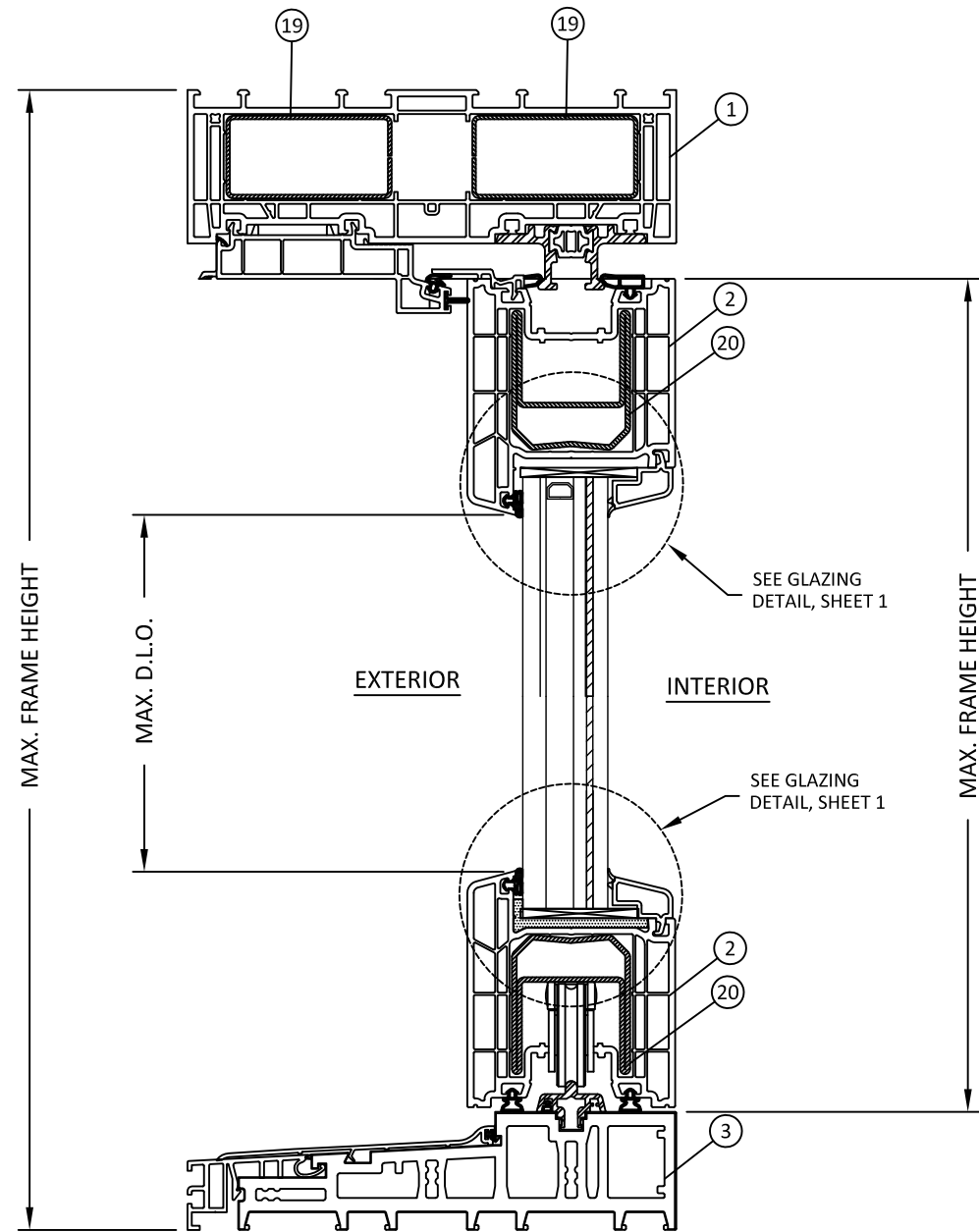
**ELEVATION**  
LIFT AND SLIDE DOOR



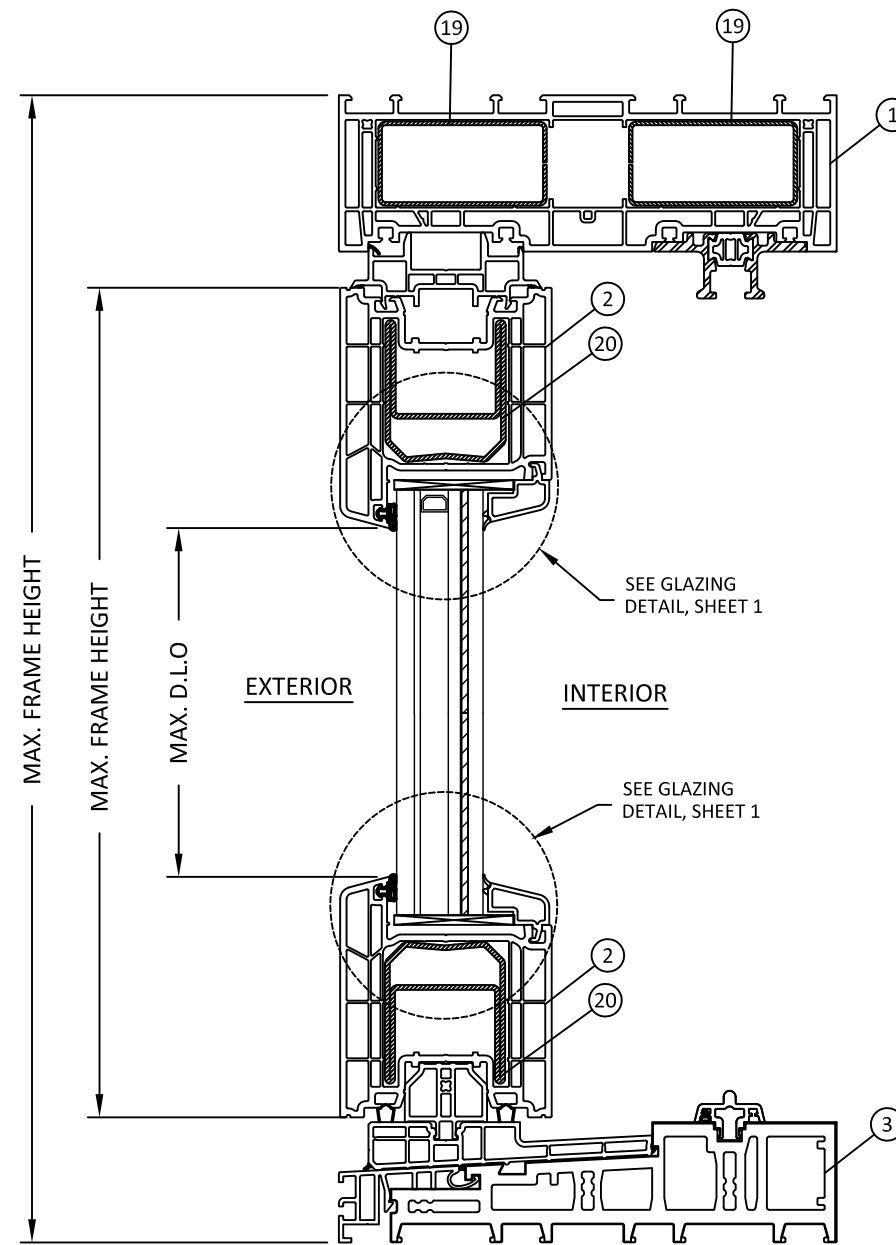
**ELEVATION**  
ANCHOR LAYOUT - THROUGH FRAME

s:\projects\eurowcraft\industries\inc\fbc-19-0320 - fbc submittal - fl12092, fl27614, fl27615 - revision\dwgslift and slide\ec1010 - l8.s.dwg 6/10/2019 4:06 PM

s:\projects\eurowcraft\industries\inc\lbc-19-0320 - fbc submittal - fl12092, fl27614, fl27615 - revision\dwg\lft and slide\lft010 - l8.dwg 6/10/2019 4:06 PM



**A**  
**4** **VERTICAL SECTION**  
LIFT AND SLIDE  
"OPERABLE"



**B**  
**4** **VERTICAL SECTION**  
LIFT AND SLIDE  
"FIXED"



7905 NW 77TH AVE  
MEDLEY, FL 33166  
PH: (305) 888-5718 FX: (305) 220-5073

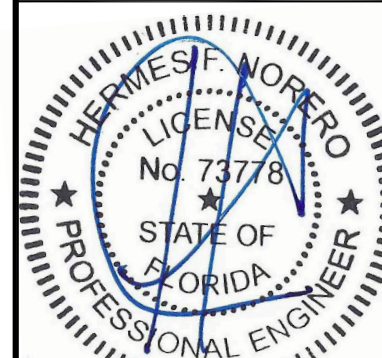
TITLE: 88MD LIFT AND SLIDE DOOR  
(IMPACT)(HVHZ)

VERTICAL SECTIONS

PREPARED BY:  BUILDING DROPS, INC.  
398 E. DANIA BEACH BLVD., STE. 338  
DANIA BEACH, FL 33004  
PH: (954)399-8478  
FAX: (954)744-4738  
WEB: www.buildingdrops.com

REMARKS	BY	DATE

THE INSTALLATION DETAILS DESCRIBED HERE IN ARE GENERIC AND MAY NOT REFLECT ACTUAL CONDITIONS FOR A SPECIFIC SITE. IF SITE CONDITIONS CAUSE INSTALLATION TO DEVIATE FROM THE REQUIREMENTS DETAILED HEREIN, A LICENSED ENGINEER OR ARCHITECT SHALL PREPARE SITE SPECIFIC DOCUMENTS FOR USE WITH THIS DOCUMENT.



HERMES F. NORERO, P.E.  
FLORIDA P.E. No. 73778  
BUILDING DROPS, INC  
398 E. DANIA BEACH BLVD. # 338  
DANIA BEACH, FL 33004  
FBPE CERT. OF AUTHORIZATION No. 29578

FL #: FL12092

DATE: 05.02.19

DWG. BY: EG

CHK. BY: HFN

SCALE: NTS

DWG. #: ECI010

SHEET: 4



7905 NW 77TH AVE  
MEDLEY, FL 33166  
PH: (305) 888-5718 FX: (305) 220-5073

TITLE: 88MD LIFT AND SLIDE DOOR  
(IMPACT)(HVHZ)

HORIZONTAL SECTIONS

PREPARED BY:  
  
BUILDING DROPS, INC.  
398 E. DANIA BEACH BLVD., STE. 338  
DANIA BEACH, FL 33004  
PH: (954) 399-8478  
FAX: (954) 744-4738  
WEB: www.buildingdrops.com

REMARKS	BY	DATE

THE INSTALLATION DETAILS DESCRIBED HERE IN ARE GENERIC AND MAY NOT REFLECT ACTUAL CONDITIONS FOR A SPECIFIC SITE. IF SITE CONDITIONS CAUSE INSTALLATION TO DEVIATE FROM THE REQUIREMENTS DETAILED HEREIN, A LICENSED ENGINEER OR ARCHITECT SHALL PREPARE SITE SPECIFIC DOCUMENTS FOR USE WITH THIS DOCUMENT.



FL #: FL12092

DATE: 05.02.19

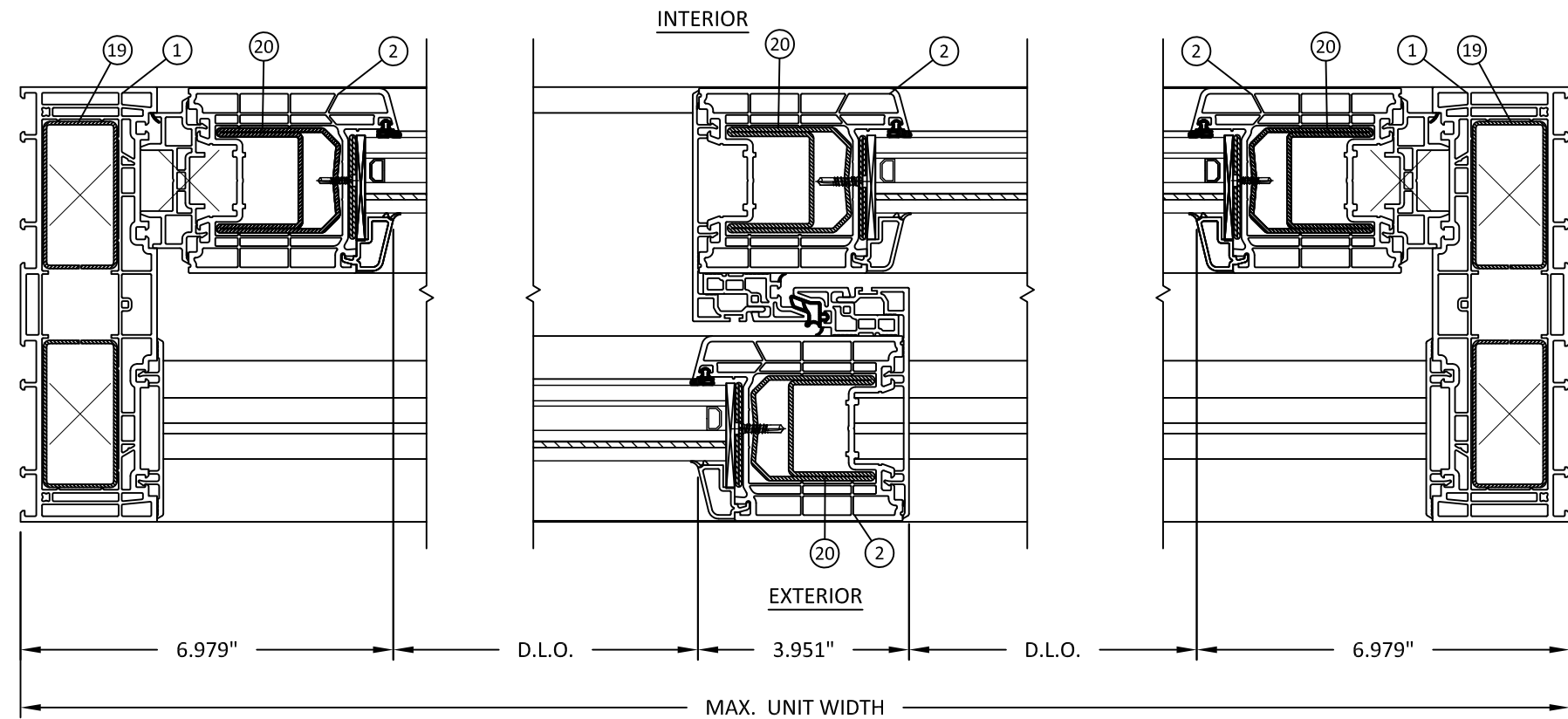
DWG. BY: EG      CHK. BY: HFN

SCALE: NTS

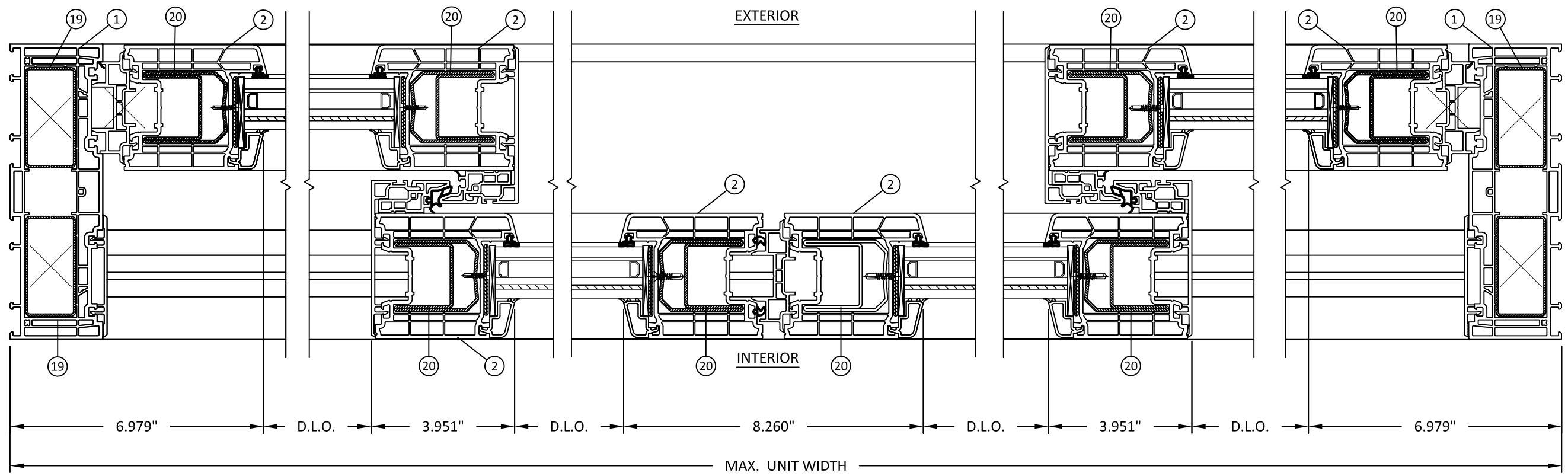
DWG. #: ECI010

SHEET: 5

OF 8



**A** HORIZONTAL SECTION  
**5** 2-PANEL LIFT AND SLIDE



**B** HORIZONTAL SECTION  
**5** 4-PANEL LIFT AND SLIDE

6/10/2019 4:06 PM

s:\projects\europaft\industries\inc\lbc-19-0320 - fbc submittal - fl12092, fl27614, fl27615 - revision\dwgs\lift and slide\eci010 - l8.dwg



7905 NW 77TH AVE  
MEDLEY, FL 33166  
PH: (305) 888-5718 FX: (305) 220-5073

TITLE: 88MD LIFT AND SLIDE DOOR  
(IMPACT)(HVHZ)

INSTALLATION NOTES,  
REINFORCEMENT  
& ANCHOR DETAILS

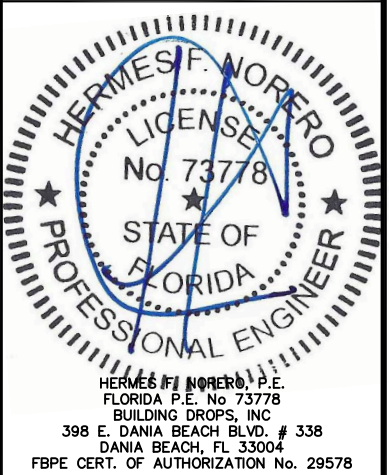
PREPARED BY: BUILDING DROPS, INC.

398 E. DANIA BEACH BLVD., STE. 338  
DANIA BEACH, FL 33004  
PH: (954)399-8478  
FAX: (954)744-4738  
WEB: www.buildingdrops.com



REMARKS	BY	DATE

THE INSTALLATION DETAILS DESCRIBED HERE IN ARE GENERIC AND MAY NOT REFLECT ACTUAL CONDITIONS FOR A SPECIFIC SITE. IF SITE CONDITIONS CAUSE INSTALLATION TO DEVIATE FROM THE REQUIREMENTS DETAILED HEREIN, A LICENSED ENGINEER OR ARCHITECT SHALL PREPARE SITE SPECIFIC DOCUMENTS FOR USE WITH THIS DOCUMENT.



FL #: FL12092

DATE: 05.02.19

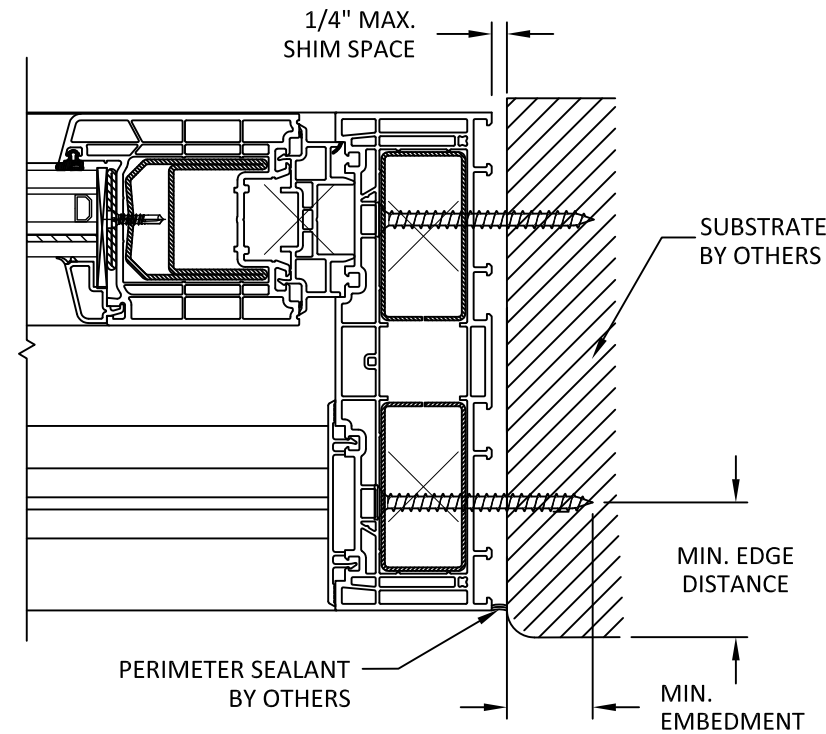
DWG. BY: EG      CHK. BY: HFN

SCALE: NTS

DWG. #: ECI010

SHEET: 6

OF 8



**A**  
**6** **HORIZONTAL SECTION**  
**THROUGH FRAME (JAMB)**

ANCHOR SCHEDULE				
METHOD	SUBSTRATE	ANCHOR SCHEDULE	MIN EMBEDMENT	MIN. EDGE DISTANCE
THROUGH FRAME	WOOD: MIN. SG = 0.55	#10 WOOD SCREW FLAT HEAD	1.5"	0.75"
	METAL: 18 GAUGE Steel, MIN. Fy = 33KSI	#10 TEK SCREW FLAT HEAD	3 THREADS MIN PENETRATION BEYOND METAL	0.5"
	CONCRETE: MIN. fc=3000PSI	3/16" ITW TAPCON FLATHEAD	1.25"	2.0
	MASONRY: CMU per ASTM C90 MIN. 2000 PSI	3/16" ITW TAPCON FLATHEAD	1"	2.0

**INSTALLATION NOTES:**

- ONE (1) INSTALLATION ANCHOR IS REQUIRED AT EACH ANCHOR LOCATION SHOWN.
- THE NUMBER OF INSTALLATION ANCHORS DEPICTED IS THE MINIMUM NUMBER OF ANCHORS TO BE USED FOR PRODUCT INSTALLATION OF THE MAXIMUM SIZE LISTED.
- INSTALL INDIVIDUAL INSTALLATION ANCHORS WITHIN A TOLERANCE OF ±1/4 INCH THE DEPICTED LOCATION & SPACING IN THE ANCHOR LAYOUT DETAILS (I.E., WITHOUT CONSIDERATION OF TOLERANCES). TOLERANCES ARE NOT CUMULATIVE FROM ONE INSTALLATION ANCHOR TO THE NEXT.
- SHIM AS REQUIRED AT EACH INSTALLATION ANCHOR WITH LOAD BEARING SHIM(S). MAXIMUM ALLOWABLE SHIM STACK TO BE 1/4 INCH. SHIM WHERE SPACE OF 1/16 INCH OR GREATER OCCURS. SHIM(S) SHALL BE CONSTRUCTED OF HIGH DENSITY PLASTIC OR BETTER.
- FOR MASONRY OR CONCRETE OPENINGS, A 1X WOOD BUCK MAY BE USED (OPTIONAL) AS LONG AS THE MINIMUM EMBEDMENT AND EDGE DISTANCE REQUIREMENTS ARE STILL MET WITHIN THE CORRESPONDING HOST SUBSTRATE. SEE GENERAL NOTE #3 ON SHEET 1 FOR MORE INFORMATION.
- MINIMUM EMBEDMENT AND EDGE DISTANCE EXCLUDE WALL FINISHES, INCLUDING BUT NOT LIMITED TO STUCCO, FOAM, BRICK VENEER, AND SIDING.
- INSTALLATION ANCHORS AND ASSOCIATED HARDWARE MUST BE MADE OF CORROSION RESISTANT MATERIAL OR HAVE A CORROSION RESISTANT COATING.
- FOR HOLLOW BLOCK AND GROUT FILLED BLOCK, DO NOT INSTALL INSTALLATION ANCHORS INTO MORTAR JOINTS. EDGE DISTANCE IS MEASURED FROM FREE EDGE OF BLOCK OR EDGE OF MORTAR JOINT INTO FACE SHELL OF BLOCK.
- INSTALLATION ANCHORS SHALL BE INSTALLED IN ACCORDANCE WITH ANCHOR MANUFACTURER'S INSTALLATION INSTRUCTIONS, AND ANCHORS SHALL NOT BE USED IN SUBSTRATES WITH STRENGTHS LESS THAN THE MINIMUM STRENGTH SPECIFIED BY THE ANCHOR MANUFACTURER.



7905 NW 77TH AVE  
MEDLEY, FL 33166  
PH: (305) 888-5718 FX: (305) 220-5073

TITLE: 88MD LIFT AND SLIDE DOOR  
(IMPACT)(HVHZ)  
GLASS LOAD CAPACITIES

GLASS LOAD CAPACITIES

PREPARED BY:  
  
**BUILDING DROPS, INC.**  
398 E. DANIA BEACH BLVD., STE. 338  
DANIA BEACH, FL 33004  
PH: (954)399-8478  
FAX: (954)744-4738  
WEB: www.buildingdrops.com

REMARKS	BY	DATE

THE INSTALLATION DETAILS DESCRIBED HERE IN ARE GENERIC AND MAY NOT REFLECT ACTUAL CONDITIONS FOR A SPECIFIC SITE. IF SITE CONDITIONS CAUSE INSTALLATION TO DEVIATE FROM THE REQUIREMENTS DETAILED HEREIN, A LICENSED ENGINEER OR ARCHITECT SHALL PREPARE SITE SPECIFIC DOCUMENTS FOR USE WITH THIS DOCUMENT.



FL #: **FL12092**

DATE: **05.02.19**

DWG. BY: **EG**      CHK. BY: **HFN**

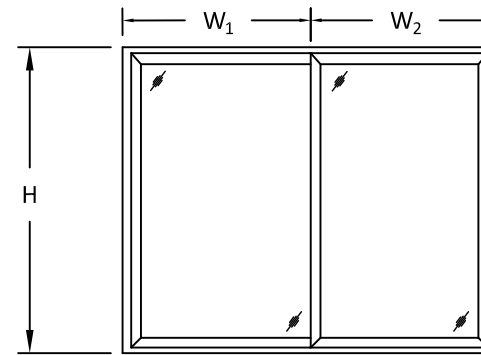
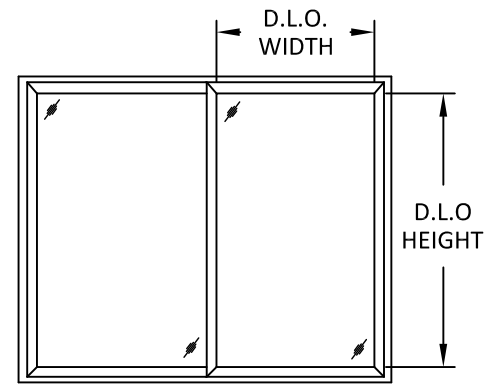
SCALE: **NTS**

DWG. #: **ECI010**

SHEET: **7**

OF 8

GLASS LOAD CAPACITY (PSF)			
DAYLIGHT OPENING DIMS. (in)		GLASS TYPE 1-4	GLASS TYPE 5
DLO WIDTH	DLO HEIGHT	EXT. (+) INT. (-)	EXT. (+) INT. (-)
24	84	120.0	55.0
30		120.0	55.0
36		120.0	55.0
42		120.0	55.0
48		120.0	55.0
54		113.2	55.0
60		101.9	50.4
66		92.7	45.8
24	96	120.0	55.0
30		120.0	55.0
36		120.0	55.0
42		120.0	55.0
48		120.0	55.0
54		113.2	55.0
60		-	55.0
66		-	55.0
24	108	120.0	55.0
30		120.0	55.0
36		120.0	55.0
42		120.0	55.0
48		120.0	55.0
54		-	55.0
60		-	55.0
66		-	-
24	120	120.0	55.0
30		120.0	55.0
36		120.0	55.0
42		120.0	55.0
48		-	55.0
54		-	55.0
60		-	-
66		-	-



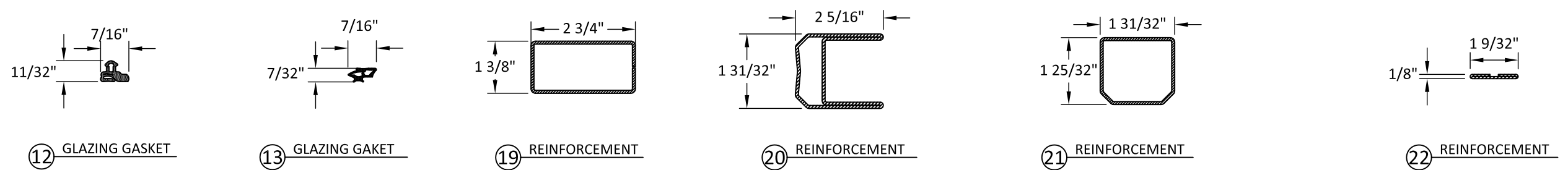
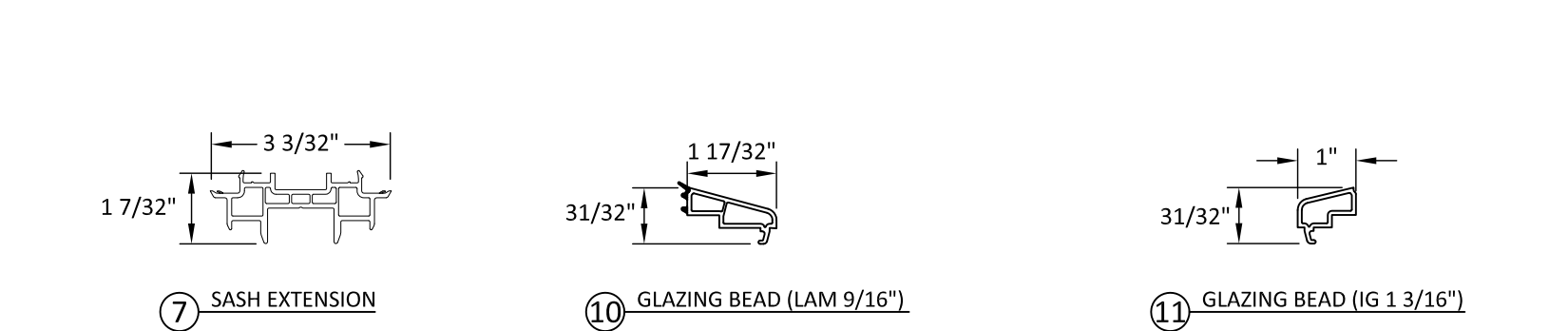
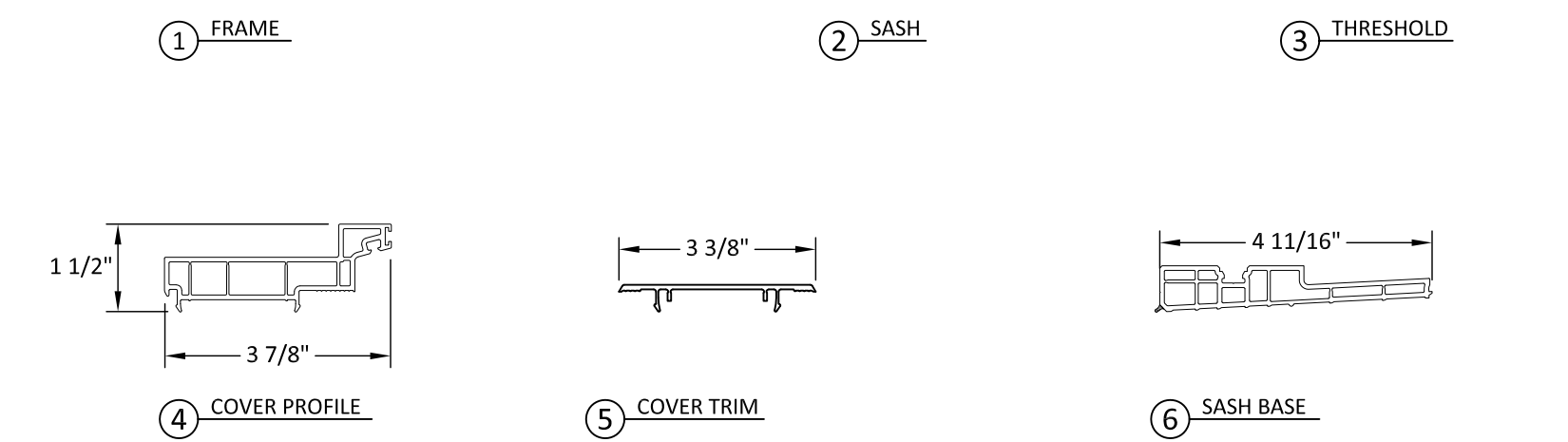
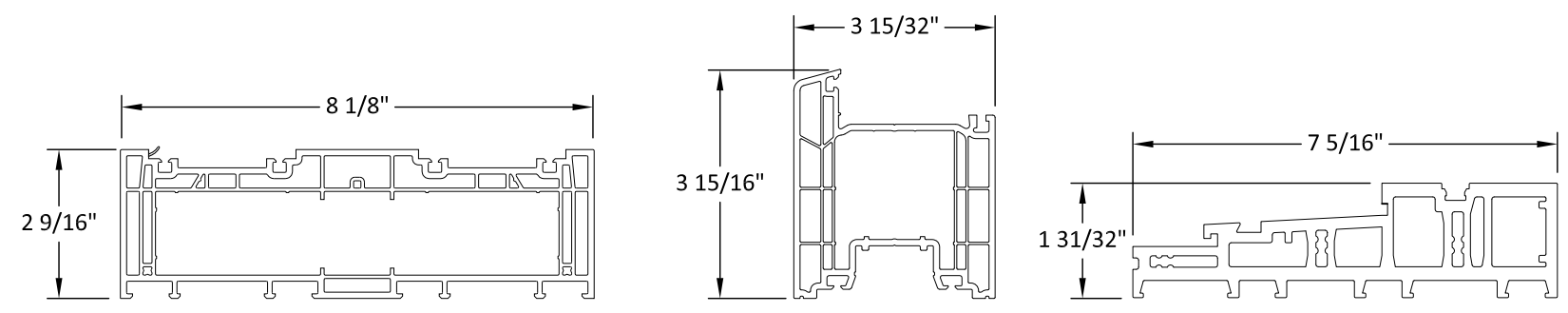
$$W = \frac{W_1 + W_2}{2}$$

6/10/2019 4:06 PM s:\projects\eurowcraft\industries\inc\lbc-19-0320 - fbc submittal - fl12092, fl27614, fl27615 - revision\dwgs\lift and slide\ecI010 - l8.s.dwg

6/10/2019 4:06 PM

s:\projects\eurowcraft\industries\inc\lbc-19-0320 - fbc submittal - fl12092, fl27614, fl27615 - revision\dwgs\lft and slide\eci010 - l8.dwg

BILL OF MATERIALS			
ITEM	PART #	DESCRIPTION	MATERIAL
1	2880	FRAME	VINYL
2	2883	SASH	VINYL
3	Z042	THRESHOLD	VINYL
4	2881	COVER PROFILE	VINYL
5	2882	COVER TRIM	VINYL
6	2884	SASH BASE	VINYL
7	2885	SASH EXTENSION	VINYL
8	2886	SASH COVER TRIM	VINYL
9	2887	MIDDLE CONNECTOR	VINYL
10	2452	GLAZING BEAD (lam 9/16")	VINYL
11	76501	GLAZING BEAD (IG 1 3/16")	VINYL
12	2661	GLAZING GASKET (lam 9/16")	TPV/EPDM
13	2658	GLAZING GASKET (IG 1 3/16")	TPV/EPDM
14	M085	SPACER PROFILE	VINYL
15	A001	GUIDE RAIL TOP	ALUMINUM
16	9S77	GUIDE RAIL BOTTOM	ALUMINUM
17	9S89	SASH SEALING PROFILE	VINYL
18	9S76	THRESHOLD TOP	ALUMINUM
19	V191	REINFORCEMENT	STEEL
20	V192	REINFORCEMENT	STEEL
21	V193	REINFORCEMENT	STEEL
22	V194	REINFORCEMENT	STEEL



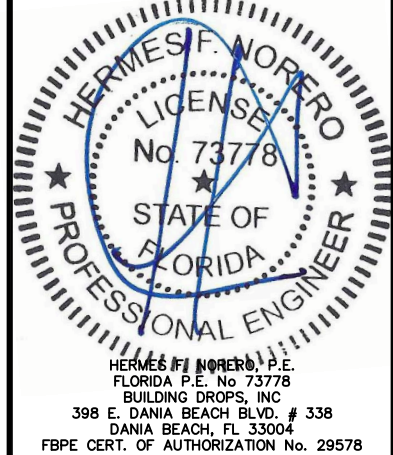
7905 NW 77TH AVE  
MEDLEY, FL 33166  
PH: (305) 888-5718 FX: (305) 220-5073

TITLE: 88MD LIFT AND SLIDE DOOR (IMPACT)(HVHZ)  
BILL OF MATERIALS

PREPARED BY: BUILDING DROPS, INC.  
398 E. DANIA BEACH BLVD., STE. 338  
DANIA BEACH, FL 33004  
PH: (954) 399-8478  
FAX: (954) 744-4738  
WEB: www.buildingdrops.com

REMARKS	BY	DATE

THE INSTALLATION DETAILS DESCRIBED HERE IN ARE GENERIC AND MAY NOT REFLECT ACTUAL CONDITIONS FOR A SPECIFIC SITE. IF SITE CONDITIONS CAUSE INSTALLATION TO DEVIATE FROM THE REQUIREMENTS DETAILED HEREIN, A LICENSED ENGINEER OR ARCHITECT SHALL PREPARE SITE SPECIFIC DOCUMENTS FOR USE WITH THIS DOCUMENT.



FL #: FL12092

DATE: 05.02.19

DWG. BY: EG      CHK. BY: HFN

SCALE: NTS

DWG. #: ECI010

SHEET: