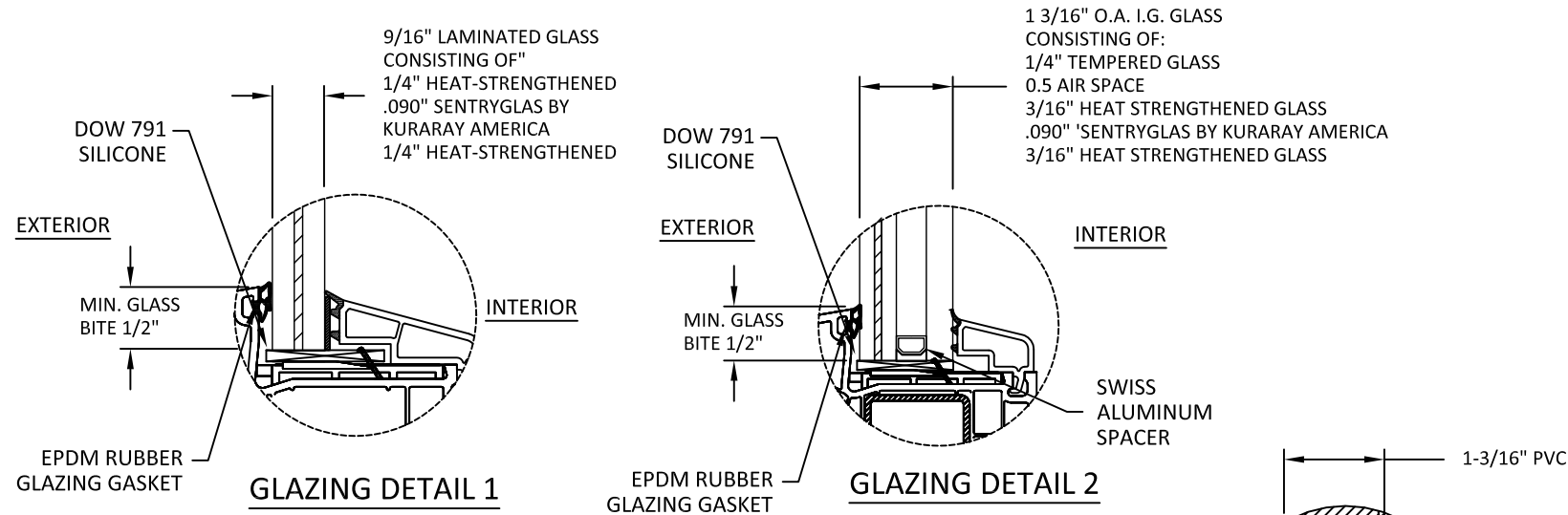


EUROCRAFT INDUSTRIES INC.

76AD OS FRENCH DOOR (IMPACT) (HVHZ)

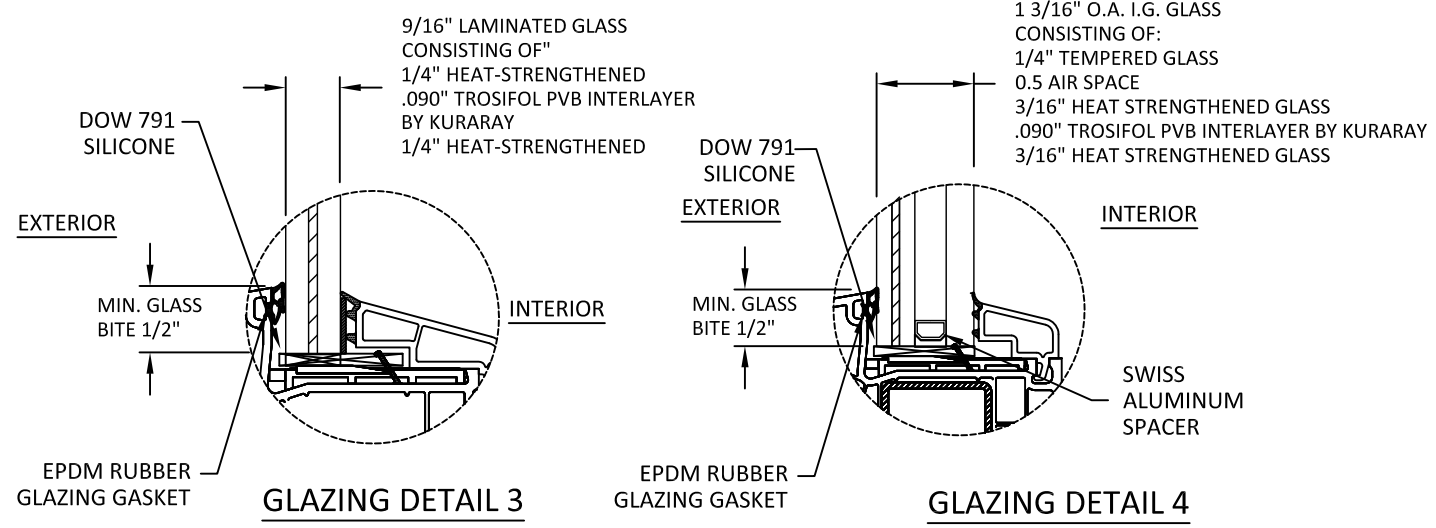
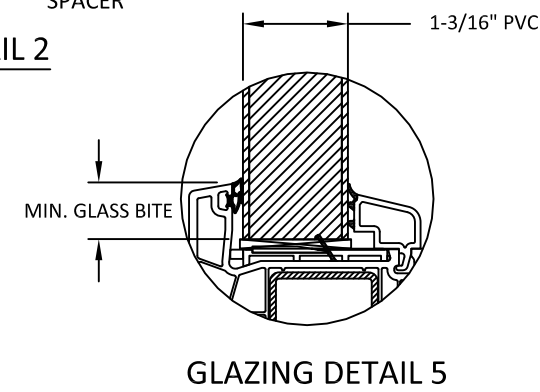
GENERAL NOTES:

- THE PRODUCT SHOWN HEREIN IS DESIGNED AND MANUFACTURED TO COMPLY WITH THE CURRENT EDITION FLORIDA BUILDING CODE (FBC), INCLUDING HVHZ AND HAS BEEN EVALUATED ACCORDING TO THE FOLLOWING:
 - TAS 201-94
 - TAS 202-91
 - TAS 203-94
- ADEQUACY OF THE EXISTING STRUCTURAL CONCRETE/MASONRY, 2X FRAMING, AND METAL FRAMING AS A MAIN WIND FORCE RESISTING SYSTEM CAPABLE OF WITHSTANDING AND TRANSFERRING APPLIED PRODUCT LOADS TO THE FOUNDATION IS THE RESPONSIBILITY OF THE ENGINEER OR ARCHITECT OF RECORD FOR THE PROJECT OF INSTALLATION.
- 1X AND 2X BUCKS (WHEN USED) SHALL BE DESIGNED AND ANCHORED TO PROPERLY TRANSFER ALL LOADS TO THE STRUCTURE. BUCK DESIGN AND INSTALLATION IS THE RESPONSIBILITY OF THE ENGINEER OR ARCHITECT OF RECORD FOR THE PROJECT OF INSTALLATION.
- INSTALL INDIVIDUAL INSTALLATION ANCHORS WITHIN A TOLERANCE OF ±1/4 INCH OF THE DEPICTED LOCATION IN THE ANCHOR LAYOUT DETAIL (I.E., WITHOUT CONSIDERATION OF TOLERANCES). TOLERANCES ARE NOT CUMULATIVE FROM ONE INSTALLATION ANCHOR TO THE NEXT.
- THE INSTALLATION DETAILS DESCRIBED HEREIN ARE GENERIC AND MAY NOT REFLECT ACTUAL CONDITIONS FOR A SPECIFIC SITE. IF SITE CONDITIONS CAUSE INSTALLATION TO DEVIATE FROM THE REQUIREMENTS DETAILED HEREIN, A LICENSED ENGINEER OR ARCHITECT SHALL PREPARE SITE SPECIFIC DOCUMENTS FOR USE WITH THIS DOCUMENT IN NON-HVHZ AREAS. IN HVHZ AREAS, ONE TIME PRODUCT APPROVAL TO BE OBTAINED FROM MIAMI-DADE RER OR AHJ.
- APPROVED IMPACT PROTECTIVE SYSTEM **IS NOT REQUIRED** ON THIS PRODUCT IN AREAS REQUIRING IMPACT RESISTANCE.
- DOOR FRAME MATERIAL: RIGID PVC
- GLASS MEETS THE REQUIREMENTS OF ASTM E 1300 GLASS CHARTS. SEE SHEET 1 FOR GLAZING DETAILS.



NOTE:

- GLASS TYPE THICKNESS SHALL COMPLY WITH ASTM E-1300 GLASS CHART REQUIREMENTS.
- ALL GLAZING CONFIGURATIONS SHALL COMPLY WITH SAFETY GLAZING REQUIREMENTS OUTLINED IN CURRENT FBC
- SETTING BLOCK SHOULD BE 70-90 DUROMETER AS PER CH 24 OF THE CURRENT FBC.
- GLASS LITES THAT EXCEED 36" IN WIDTH SHALL USE SETTING BLOCKS AT 1/4 SPAN FROM CORNERS.



| MAX OVERALL SIZE | | CONFIG. | DESIGN PRESSURE | MISSILE IMPACT RATING |
|------------------|--------|---------|-----------------|-----------------------|
| WIDTH | HEIGHT | | | |
| 44" | 120" | X | +/- 120 PSF | LMI |
| 88" | 120" | XX | +/- 120 PSF | LMI |

| TABLE OF CONTENTS | | |
|-------------------|----------|--|
| SHEET | REVISION | SHEET DESCRIPTION |
| 1 | - | INSTALLATION AND GENERAL NOTES |
| 2 | - | ELEVATIONS & ANCHOR LAYOUT |
| 3 | - | ELEVATIONS & ANCHOR LAYOUT |
| 4 | - | VERTICAL SECTIONS |
| 5 | - | HORIZONTAL SECTIONS |
| 6 | - | GLASS LOAD CAPACITIES |
| 7 | - | INSTALLATION NOTES, REINFORCEMENT & ANCHOR DETAILS |
| 8 | - | BILL OF MATERIALS & GLASS LOAD CAPACITIES |



7905 NW 77TH AVE
 MEDLEY, FL 33166
 PH: (305) 888-5718 FX: (305) 220-5073

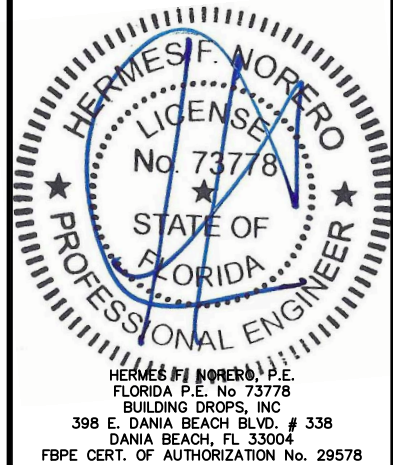
TITLE: 75AD OS FRENCH DOOR (IMPACT) (HVHZ)

INSTALLATION & GENERAL NOTES

PREPARED BY: BUILDING DROPS, INC.
 398 E. DANIA BEACH BLVD., STE. 338
 DANIA BEACH, FL 33004
 PH: (954) 399-8478
 FAX: (954) 744-4738
 WEB: www.buildingdrops.com

| REMARKS | BY | DATE |
|---------|----|------|
| | | |
| | | |
| | | |

THE INSTALLATION DETAILS DESCRIBED HEREIN ARE GENERIC AND MAY NOT REFLECT ACTUAL CONDITIONS FOR A SPECIFIC SITE. IF SITE CONDITIONS CAUSE INSTALLATION TO DEVIATE FROM THE REQUIREMENTS DETAILED HEREIN, A LICENSED ENGINEER OR ARCHITECT SHALL PREPARE SITE SPECIFIC DOCUMENTS FOR USE WITH THIS DOCUMENT.



FL #: FL27615

DATE: 05.02.19

DWG. BY: EG **CHK. BY:** HFN

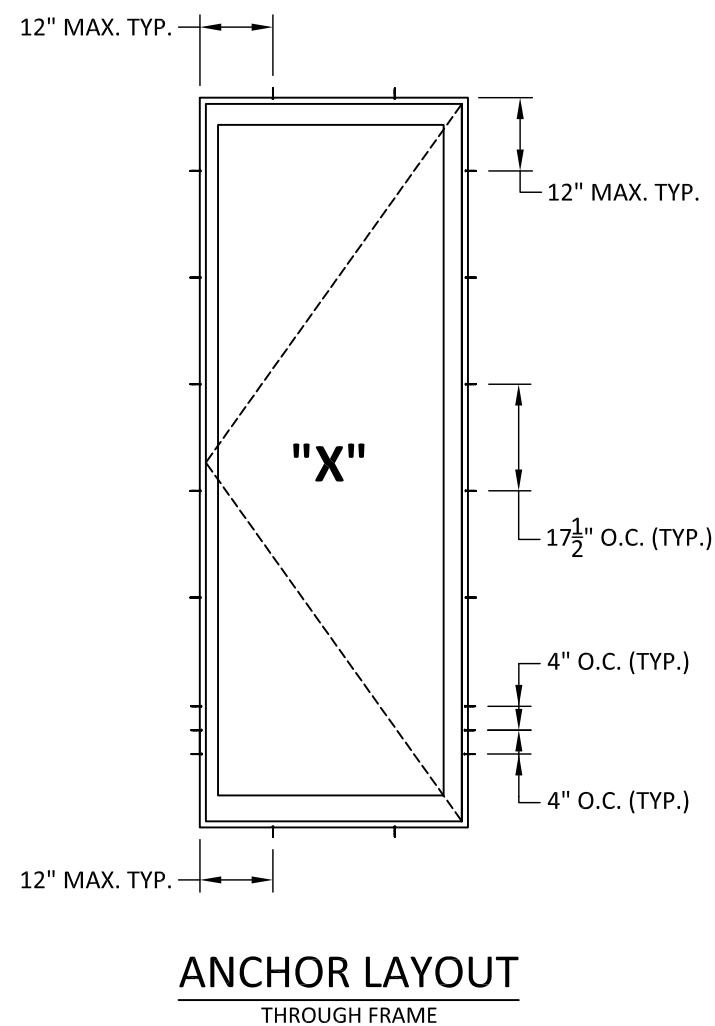
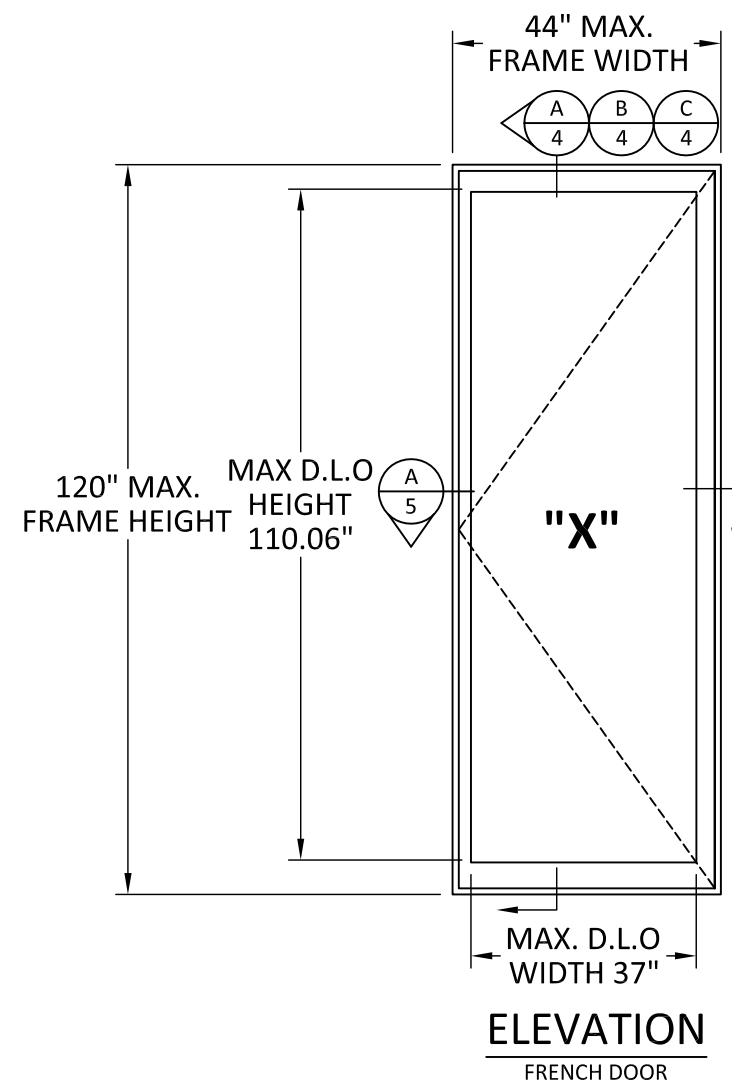
SCALE: NTS

DWG. #: ECI009

SHEET: 1 OF 8

6/10/2019 6:41 PM

s:\projects\eurowcraft\industries\inc\fbc-18-0332 - fbc submittal - outswing french and tilt and slide door\dwgs\ec009 french door.dwg



7905 NW 77TH AVE
MEDLEY, FL 33166
PH: (305) 888-5718 FX: (305) 220-5073

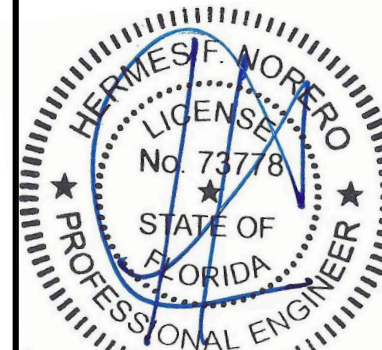
TITLE: 75AD OS FRENCH DOOR
(IMPACT) (HVHZ)
ELEVATIONS & ANCHOR LAYOUTS

PREPARED BY:
BUILDING DROPS, INC.
398 E. DANIA BEACH BLVD., STE. 338
DANIA BEACH, FL 33004
PH: (954)399-8478
FAX: (954)744-4738
WEB: www.buildingdrops.com



| REMARKS | BY | DATE |
|---------|----|------|
| | | |
| | | |
| | | |

THE INSTALLATION DETAILS DESCRIBED HERE IN ARE GENERIC AND MAY NOT REFLECT ACTUAL CONDITIONS FOR A SPECIFIC SITE. IF SITE CONDITIONS CAUSE INSTALLATION TO DEVIATE FROM THE REQUIREMENTS DETAILED HEREIN, A LICENSED ENGINEER OR ARCHITECT SHALL PREPARE SITE SPECIFIC DOCUMENTS FOR USE WITH THIS DOCUMENT.



HERMES F. NORERO, P.E.
FLORIDA P.E. No 73778
BUILDING DROPS, INC
398 E. DANIA BEACH BLVD. # 338
DANIA BEACH, FL 33004
FBPE CERT. OF AUTHORIZATION No. 29578

FL #: **FL27615**

DATE: **05.02.19**

DWG. BY: **EG** CHK. BY: **HFN**

SCALE: **NTS**

DWG. #: **ECI009**

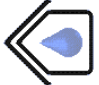
SHEET:
2

OF 8



7905 NW 77TH AVE
MEDLEY, FL 33166
PH: (305) 888-5718 FX: (305) 220-5073

TITLE: 75AD OS FRENCH DOOR
(IMPACT) (HVHZ)
ELEVATIONS & ANCHOR LAYOUTS

PREPARED BY:

BUILDING DROPS, INC.
398 E. DANIA BEACH BLVD., STE. 338
DANIA BEACH, FL 33004
PH: (954)399-8478
FAX: (954)744-4738
WEB: www.buildingdrops.com

| REMARKS | BY | DATE |
|---------|----|------|
| | | |
| | | |
| | | |

THE INSTALLATION DETAILS DESCRIBED HERE IN ARE GENERIC AND MAY NOT REFLECT ACTUAL CONDITIONS FOR A SPECIFIC SITE. IF SITE CONDITIONS CAUSE INSTALLATION TO DEVIATE FROM THE REQUIREMENTS DETAILED HEREIN, A LICENSED ENGINEER OR ARCHITECT SHALL PREPARE SITE SPECIFIC DOCUMENTS FOR USE WITH THIS DOCUMENT.



HERMES F. NORERO, P.E.
FLORIDA P.E. No. 73778
BUILDING DROPS, INC
398 E. DANIA BEACH BLVD. # 338
DANIA BEACH, FL 33004
FBPE CERT. OF AUTHORIZATION No. 29578

FL #: **FL27615**

DATE: **05.02.19**

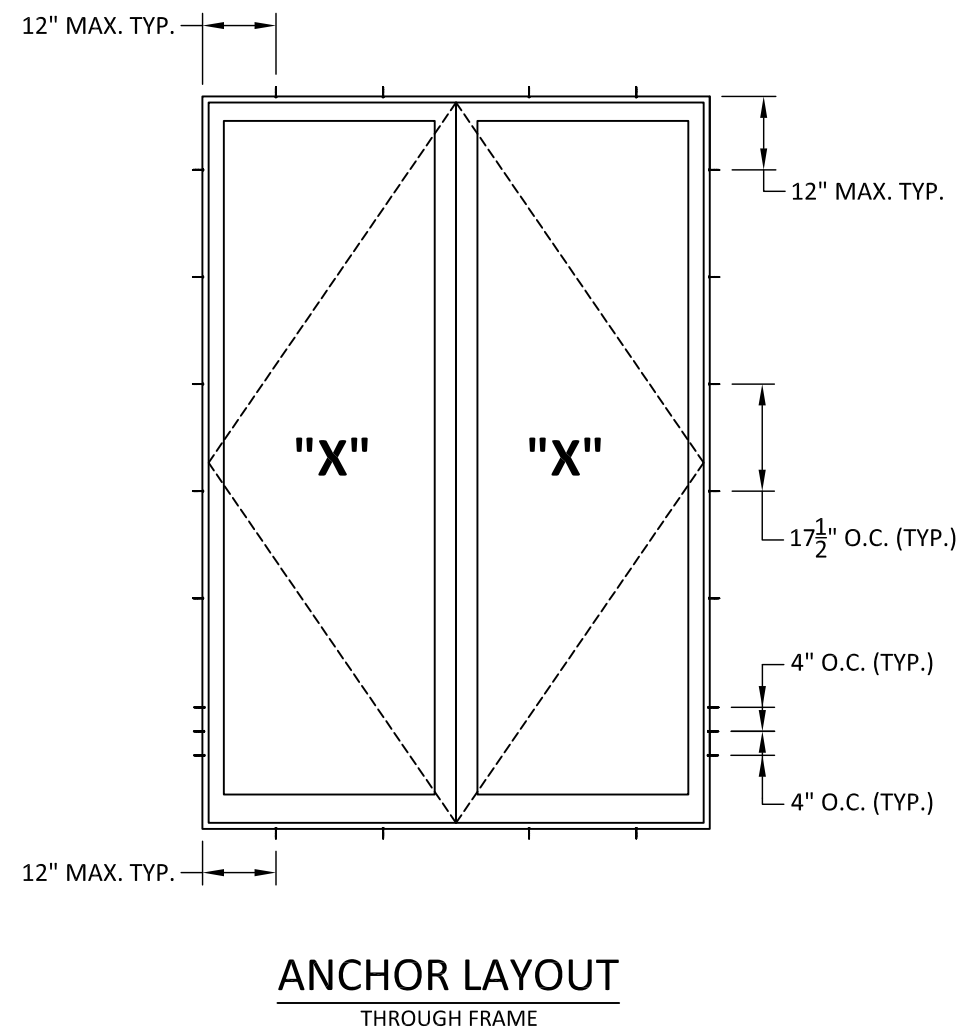
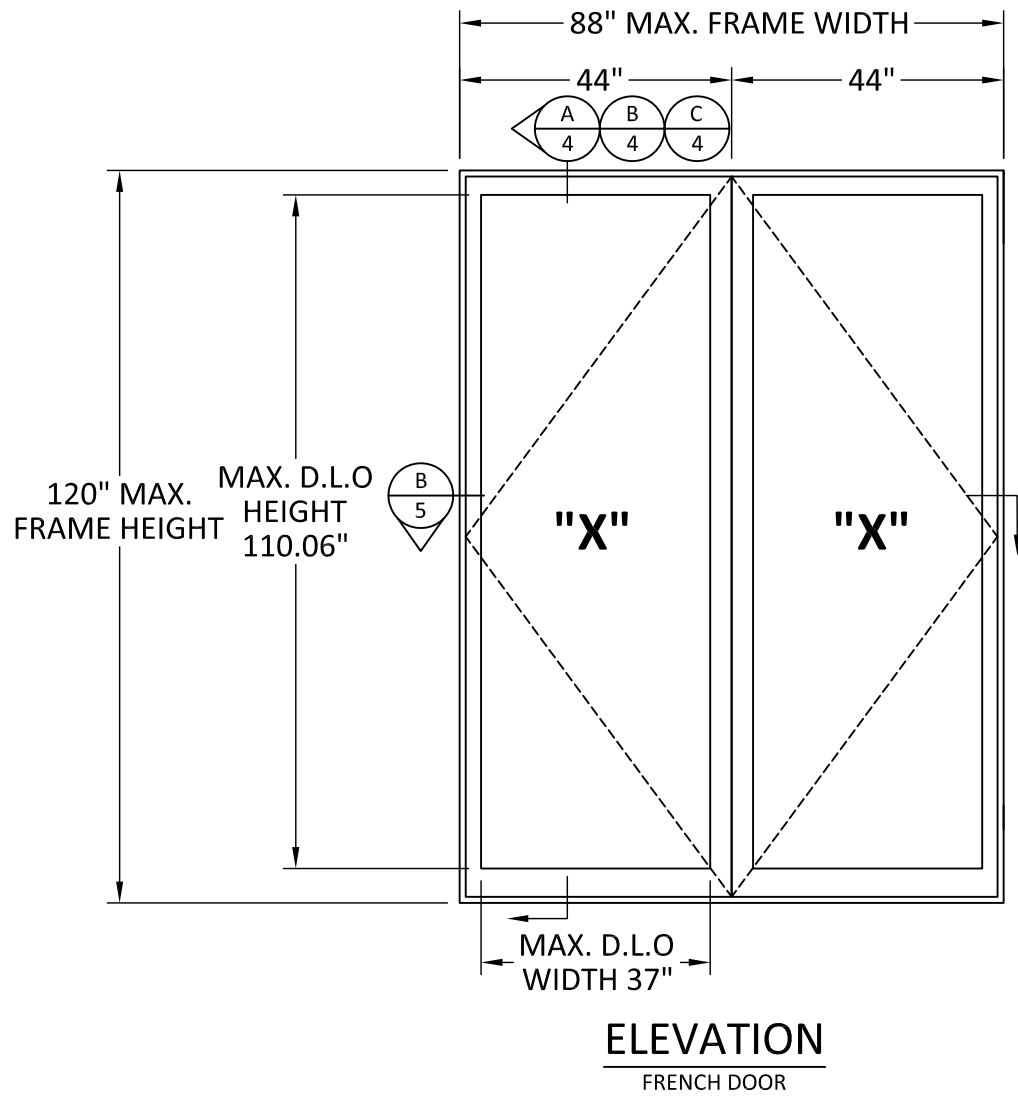
DWG. BY: **EG** CHK. BY: **HFN**

SCALE: **NTS**

DWG. #: **ECI009**

SHEET: **3**

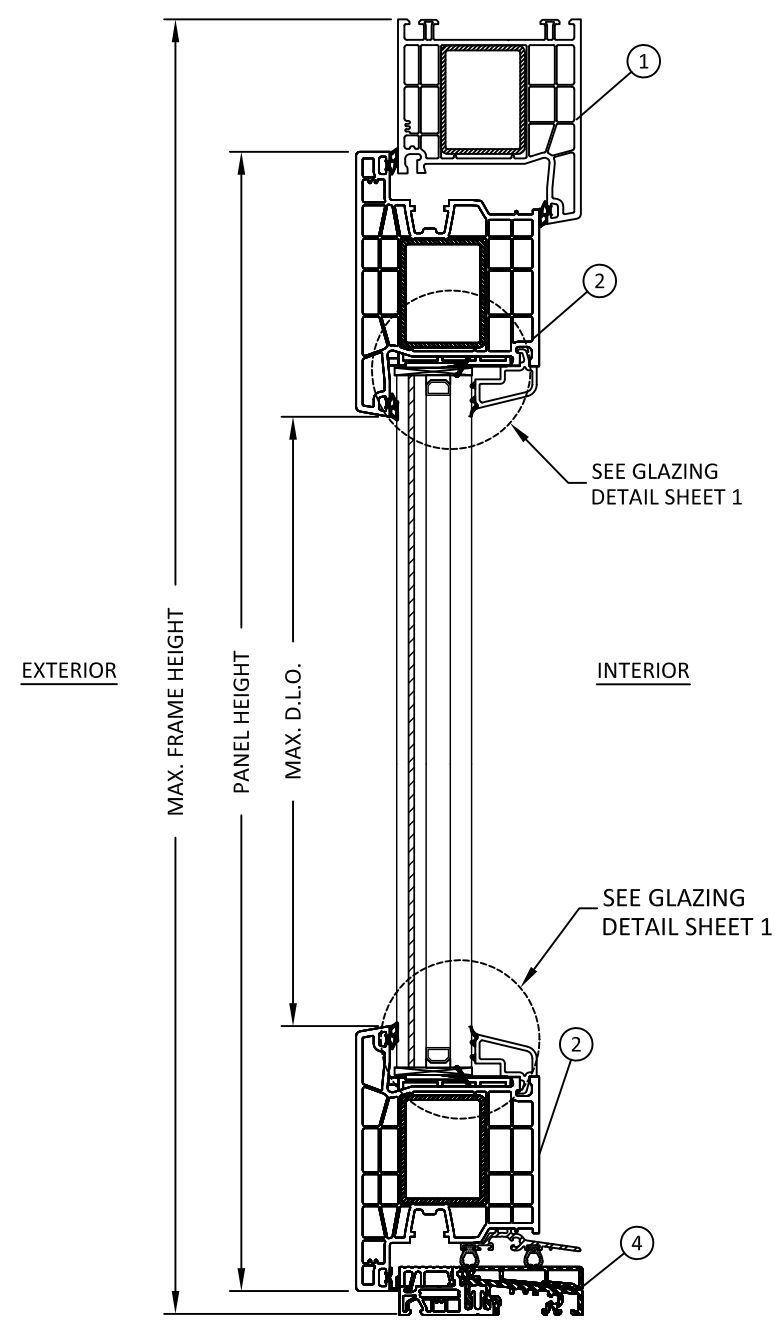
OF 8



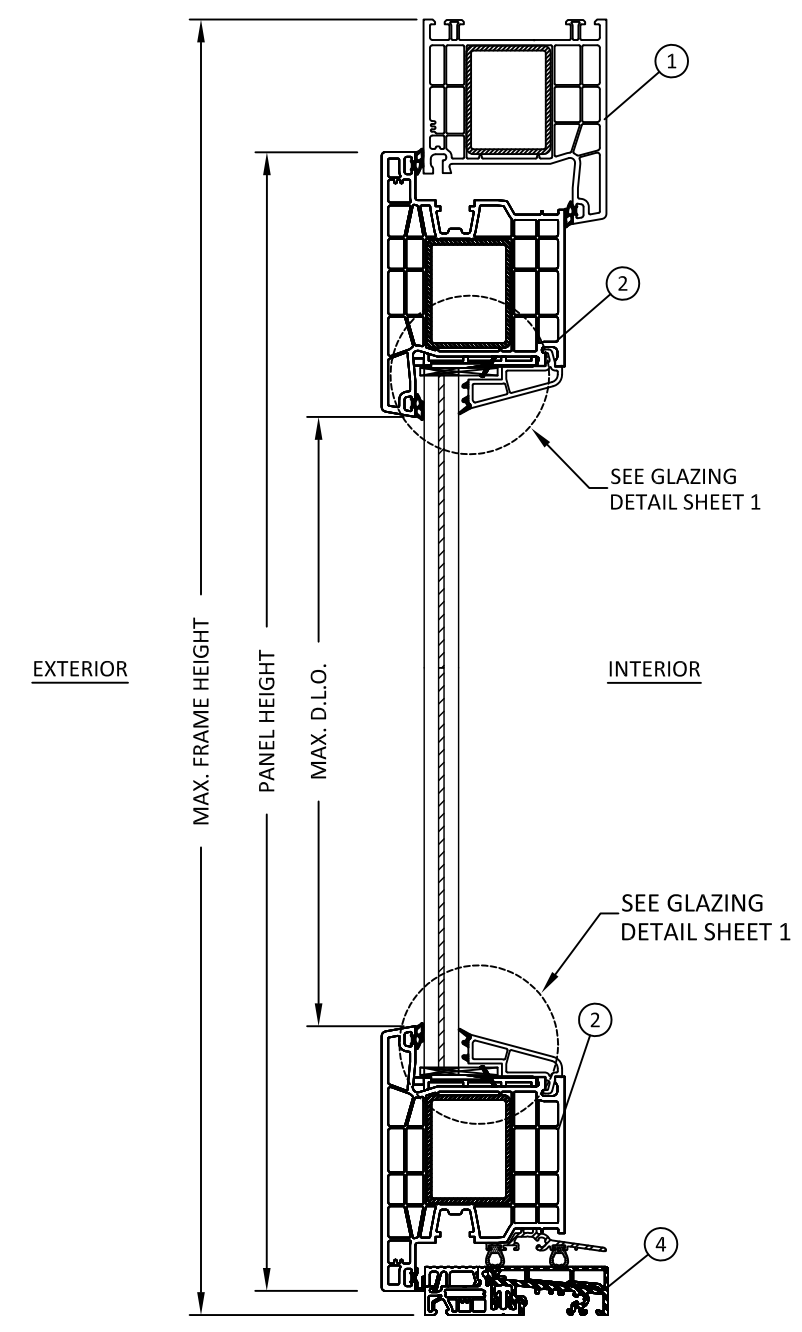
s:\projects\eurowcraft\industries\inc\fbc-18-0332-fbc-submittal-oustrwing french and tilt and slide door\dwg\ec009 french door.dwg 6/10/2019 6:41 PM

6/10/2019 6:41 PM

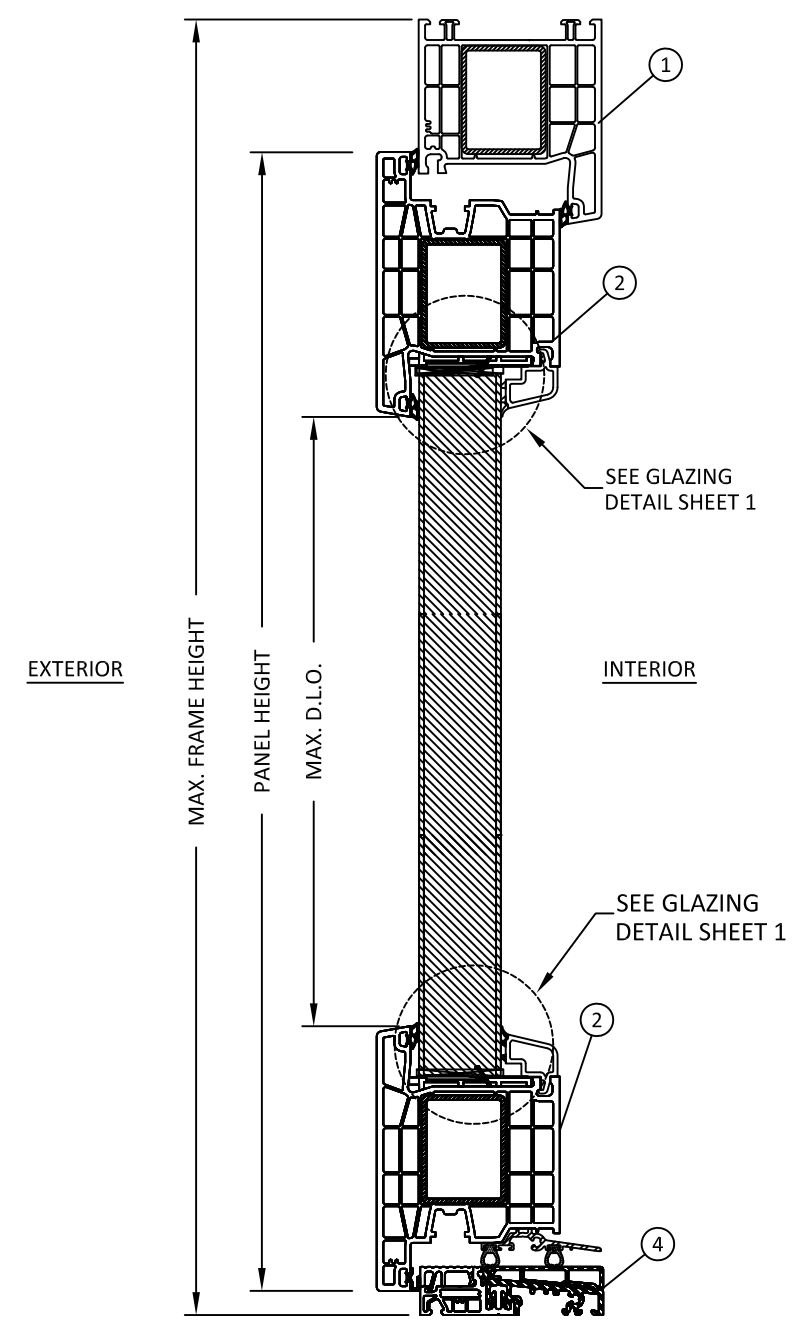
s:\projects\eurowcraft\industries\inc\lbc-18-0332 - fbc submittal - outswing french and tilt and slide door\dwg\lbc009 french door.dwg



A
4 **VERTICAL SECTION**
FRENCH DOOR - IG LAMI GLASS



B
4 **VERTICAL SECTION**
FRENCH DOOR - MONO LAMI GLASS




C
4 **VERTICAL SECTION**
FRENCH DOOR - OPAQUE PANEL



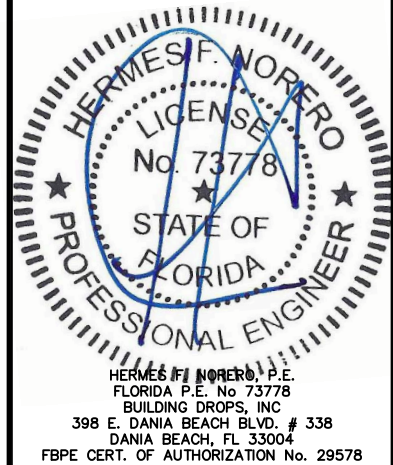
7905 NW 77TH AVE
MEDLEY, FL 33166
PH: (305) 888-5718 FX: (305) 220-5073

TITLE: 75AD OS FRENCH DOOR (IMPACT) (HVHZ)
VERTICAL SECTIONS

PREPARED BY:  BUILDING DROPS, INC.
398 E. DANIA BEACH BLVD., STE. 338
DANIA BEACH, FL 33004
PH: (954) 399-8478
FAX: (954) 744-4738
WEB: www.buildingdrops.com

| REMARKS | BY | DATE |
|---------|----|------|
| | | |
| | | |
| | | |

THE INSTALLATION DETAILS DESCRIBED HERE IN ARE GENERIC AND MAY NOT REFLECT ACTUAL CONDITIONS FOR A SPECIFIC SITE. IF SITE CONDITIONS CAUSE INSTALLATION TO DEVIATE FROM THE REQUIREMENTS DETAILED HEREIN, A LICENSED ENGINEER OR ARCHITECT SHALL PREPARE SITE SPECIFIC DOCUMENTS FOR USE WITH THIS DOCUMENT.



FL #: **FL27615**

DATE: **05.02.19**

DWG. BY: **EG** CHK. BY: **HFN**

SCALE: **NTS**

DWG. #: **ECI009**

SHEET:



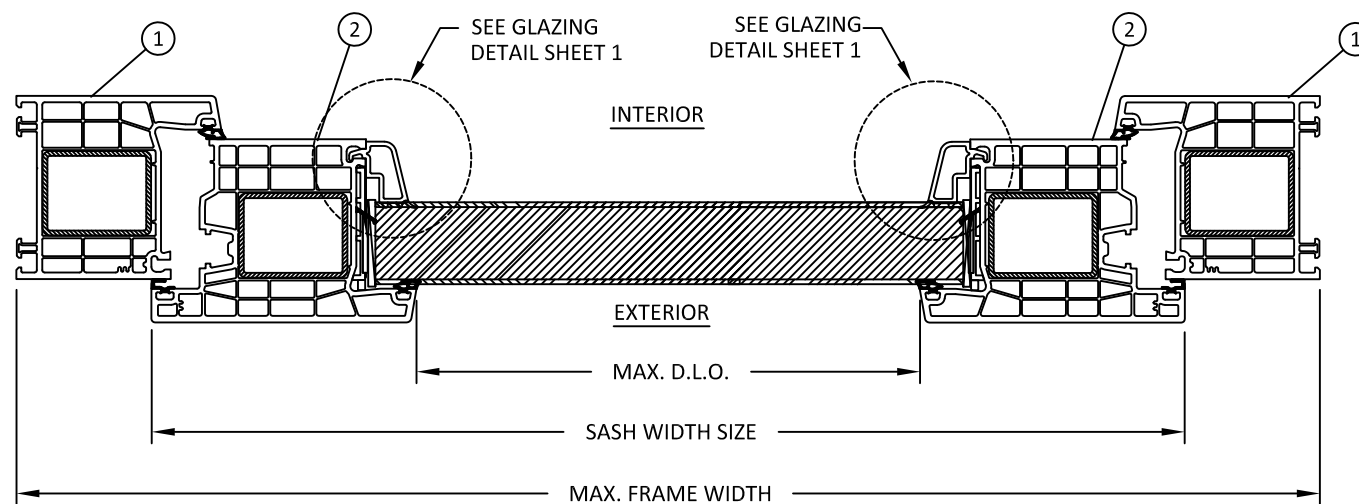
7905 NW 77TH AVE
MEDLEY, FL 33166

PH: (305) 888-5718 FX: (305) 220-5073

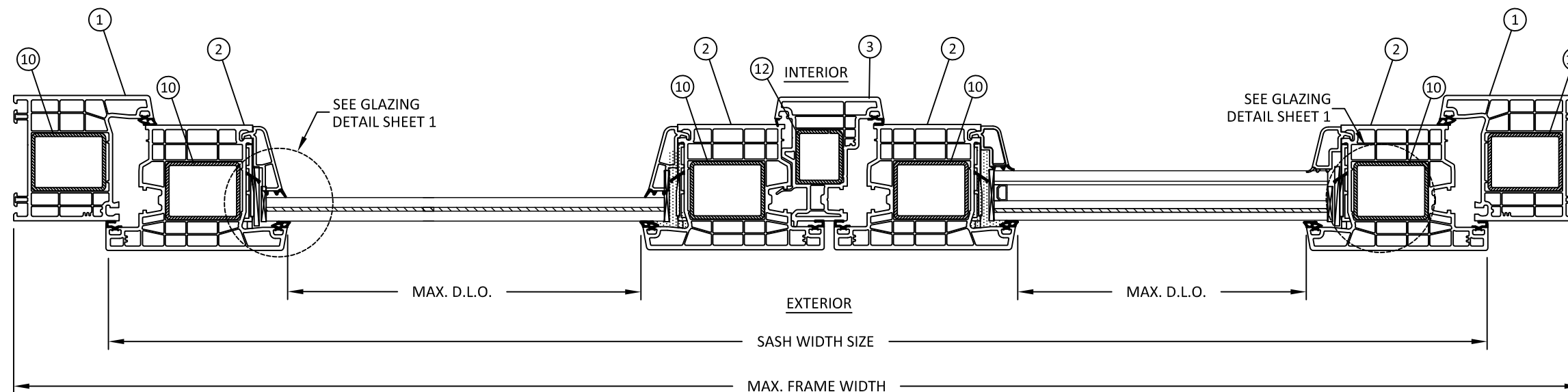
TITLE: 75AD OS FRENCH DOOR
(IMPACT) (HVHZ)

HORIZONTAL SECTIONS

PREPARED BY:  BUILDING DROPS, INC.
398 E. DANIA BEACH BLVD., STE. 338
DANIA BEACH, FL 33004
PH: (954) 399-8478
FAX: (954) 744-4738
WEB: www.buildingdrops.com

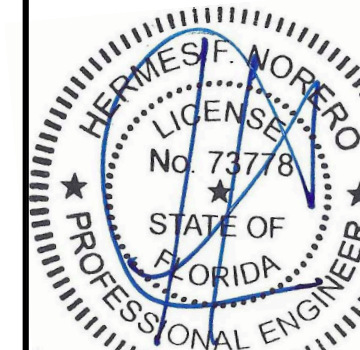


A
5 HORIZONTAL SECTION
FRENCH DOOR - SINGLE DOOR



B
5 HORIZONTAL SECTION
FRENCH DOOR - DOUBLE DOOR

THE INSTALLATION DETAILS DESCRIBED HERE IN ARE GENERIC AND MAY NOT REFLECT ACTUAL CONDITIONS FOR A SPECIFIC SITE. IF SITE CONDITIONS CAUSE INSTALLATION TO DEVIATE FROM THE REQUIREMENTS DETAILED HEREIN, A LICENSED ENGINEER OR ARCHITECT SHALL PREPARE SITE SPECIFIC DOCUMENTS FOR USE WITH THIS DOCUMENT.



HERMES F. NORERO, P.E.
FLORIDA P.E. No. 73778
BUILDING DROPS, INC
398 E. DANIA BEACH BLVD. # 338
DANIA BEACH, FL 33004
FBPE CERT. OF AUTHORIZATION No. 29578

FL #: FL27615

DATE: 05.02.19

DWG. BY: EG

CHK. BY: HFN

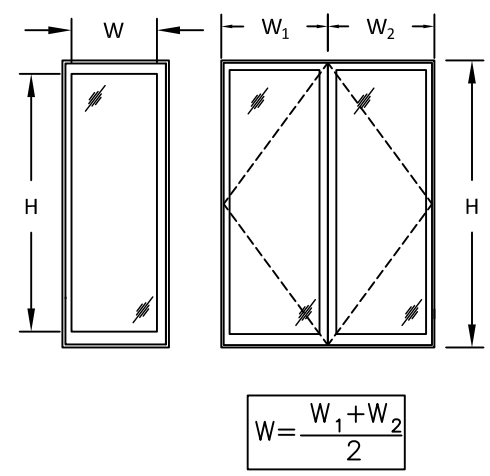
SCALE: NTS

DWG. #: ECI009

SHEET:

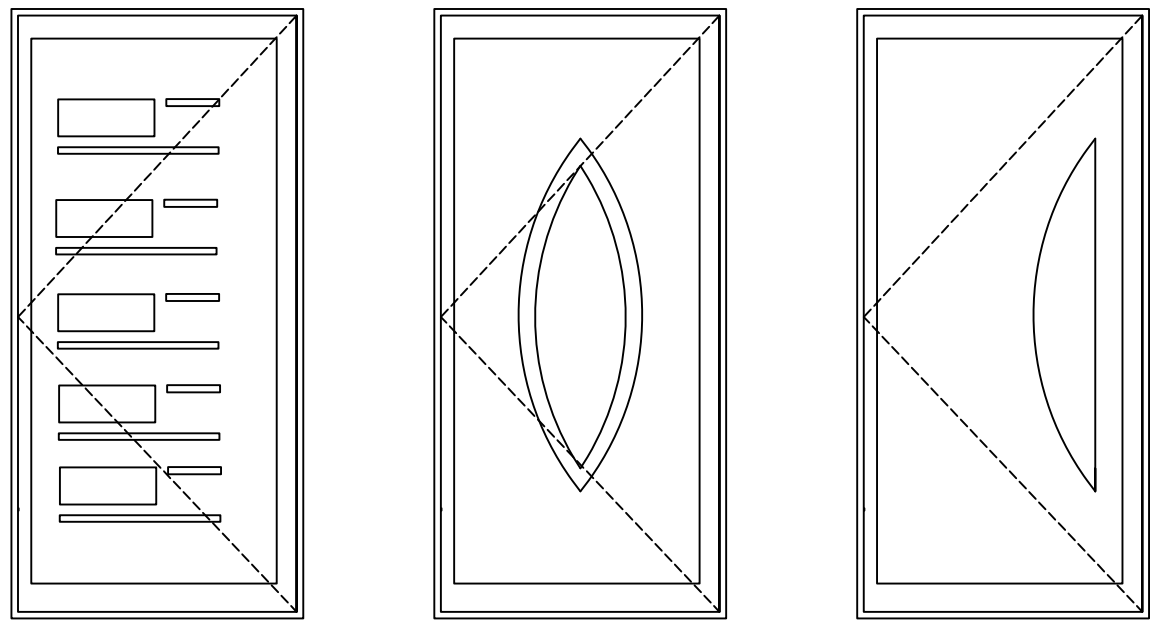
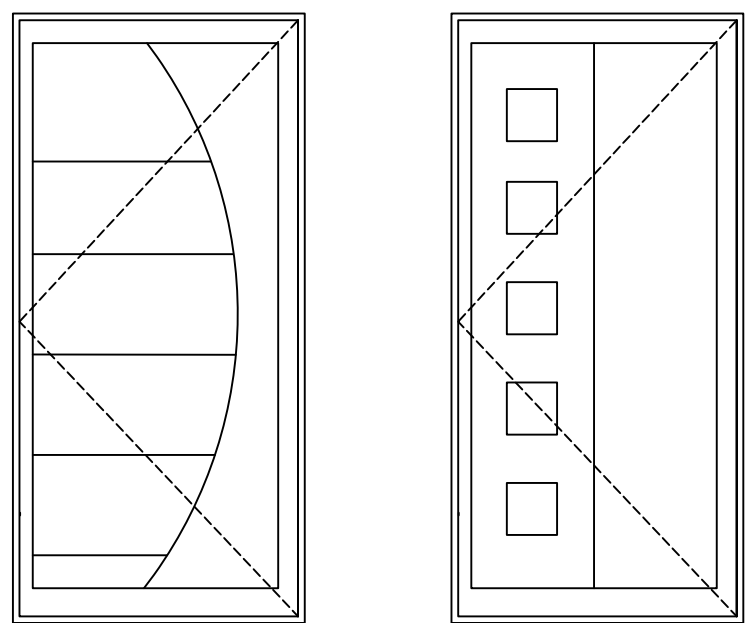
5

OF 8



| GLASS LOAD CAPACITY (PSF) | | |
|---------------------------|--------------|----------------------|
| FRAME DIMENSIONS. (in) | | GLASS TYPE 1-5 |
| FRAME WIDTH | FRAME HEIGHT | EXT. (+) INT. (-) |
| 24 | 60 | 120.0 |
| 30 | | 120.0 |
| 36 | | 120.0 |
| 42 | | 120.0 |
| 48 | | 110.0 |
| 54 | | 97.8 |
| 60 | | 88.0 |
| 66 | | 96.8 |
| 24 | 72 | 120.0 |
| 30 | | 120.0 |
| 36 | | 120.0 |
| 42 | | 120.0 |
| 48 | | 110.0 |
| 54 | | 97.8 |
| 60 | | 88.0 |
| 66 | | 80.0 |
| 24 | 84 | 120.0 |
| 30 | | 120.0 |
| 36 | | 120.0 |
| 42 | | 120.0 |
| 48 | | 110.0 |
| 54 | | 97.8 |
| 60 | | 88.0 |
| 66 | | - |
| 24 | 96 | 120.0 |
| 30 | | 120.0 |
| 36 | | 120.0 |
| 42 | | 120.0 |
| 48 | | 110.0 |
| 54 | | 97.8 |
| 60 | | - |
| 66 | | - |
| 24 | 108 | 120.0 |
| 30 | | 120.0 |
| 36 | | 120.0 |
| 42 | | 120.0 |
| 48 | | 110.0 |
| 54 | | - |
| 60 | - | |
| 66 | - | |
| 24 | 120 | 120.0 |
| 30 | | 120.0 |
| 36 | | 120.0 |
| 42 | | 120.0 |
| 48 | | - |
| 54 | | - |
| 60 | - | |
| 66 | - | |

OPTIONAL OPAQUE GLASS PANELS



NOTE:
 1. GLASS PATTERNS ON OPAQUE PANELS CONSIST OF 3/16" GLASS SURFACE APPLIED FLUSH WITH PVC SKIN.
 2. CONTACT MANUFACTURER FOR ADDITIONAL PATTERN OPTIONS



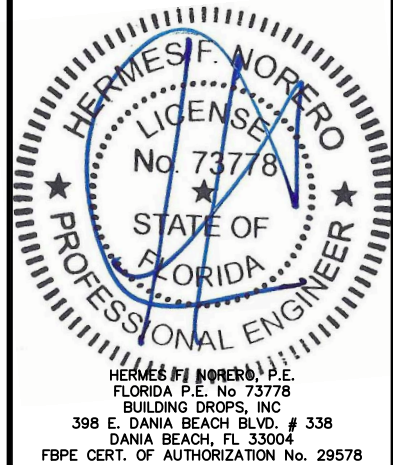
7905 NW 77TH AVE
 MEDLEY, FL 33166
 PH: (305) 888-5718 FX: (305) 220-5073

TITLE: 75AD OS FRENCH DOOR (IMPACT) (HVHZ)
BILL OF MATERIALS

PREPARED BY: BUILDING DROPS, INC.
 398 E. DANIA BEACH BLVD., STE. 338
 DANIA BEACH, FL 33004
 PH: (954)399-8478
 FAX: (954)744-4738
 WEB: www.buildingdrops.com

| REMARKS | BY | DATE |
|---------|----|------|
| | | |
| | | |
| | | |

THE INSTALLATION DETAILS DESCRIBED HERE IN ARE GENERIC AND MAY NOT REFLECT ACTUAL CONDITIONS FOR A SPECIFIC SITE. IF SITE CONDITIONS CAUSE INSTALLATION TO DEVIATE FROM THE REQUIREMENTS DETAILED HEREIN, A LICENSED ENGINEER OR ARCHITECT SHALL PREPARE SITE SPECIFIC DOCUMENTS FOR USE WITH THIS DOCUMENT.



FL #:
FL27615

DATE: **05.02.19**

DWG. BY: **EG** CHK. BY: **HFN**

SCALE: **NTS**

DWG. #: **ECI009**

SHEET:
6
 OF 8

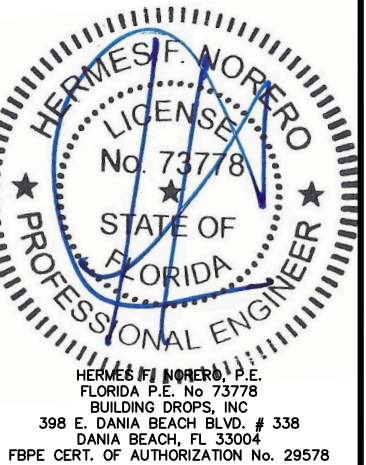


7905 NW 77TH AVE
MEDLEY, FL 33166
PH: (305) 888-5718 FX: (305) 220-5073

TITLE: 75AD OS FRENCH DOOR (IMPACT) (HVHZ)
INSTALLATION NOTES, REINFORCEMENT & ANCHOR DETAILS
PREPARED BY: BUILDING DROPS, INC.
398 E. DANIA BEACH BLVD., STE. 338
DANIA BEACH, FL 33004
PH: (954)399-8478
FAX: (954)744-4738
WEB: www.buildingdrops.com

| REMARKS | BY | DATE |
|---------|----|------|
| | | |
| | | |
| | | |

THE INSTALLATION DETAILS DESCRIBED HERE IN ARE GENERIC AND MAY NOT REFLECT ACTUAL CONDITIONS FOR A SPECIFIC SITE. IF SITE CONDITIONS CAUSE INSTALLATION TO DEVIATE FROM THE REQUIREMENTS DETAILED HEREIN, A LICENSED ENGINEER OR ARCHITECT SHALL PREPARE SITE SPECIFIC DOCUMENTS FOR USE WITH THIS DOCUMENT.



FL #: **FL27615**

DATE: **05.02.19**

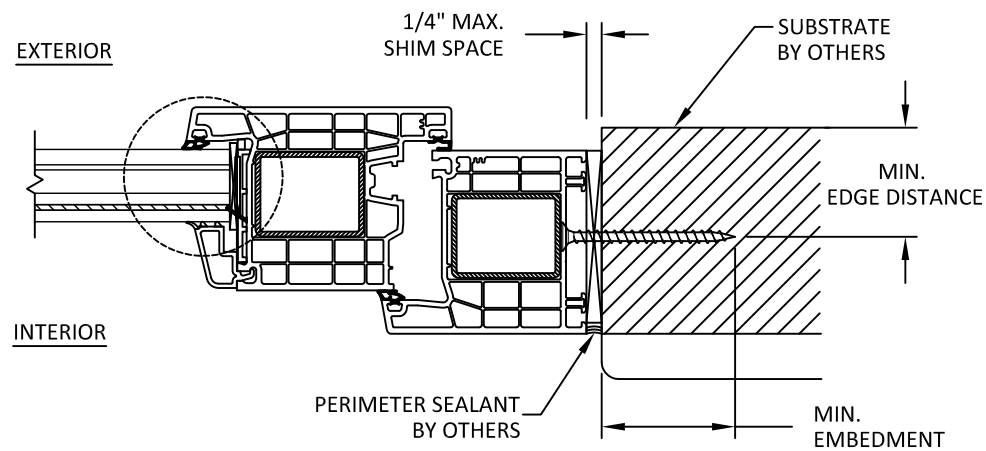
DWG. BY: **EG** CHK. BY: **HFN**

SCALE: **NTS**

DWG. #: **ECI009**

SHEET: **7**

OF 8



A
7 **HORIZONTAL SECTION**
THROUGH FRAME (JAMB)

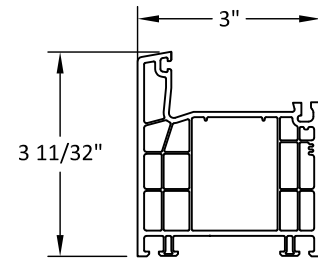
INSTALLATION NOTES:

- ONE (1) INSTALLATION ANCHOR IS REQUIRED AT EACH ANCHOR LOCATION SHOWN.
- THE NUMBER OF INSTALLATION ANCHORS DEPICTED IS THE MINIMUM NUMBER OF ANCHORS TO BE USED FOR PRODUCT INSTALLATION OF THE MAXIMUM SIZE LISTED.
- INSTALL INDIVIDUAL INSTALLATION ANCHORS WITHIN A TOLERANCE OF ±1/4 INCH THE DEPICTED LOCATION & SPACING IN THE ANCHOR LAYOUT DETAILS (I.E., WITHOUT CONSIDERATION OF TOLERANCES). TOLERANCES ARE NOT CUMULATIVE FROM ONE INSTALLATION ANCHOR TO THE NEXT.
- SHIM AS REQUIRED AT EACH INSTALLATION ANCHOR WITH LOAD BEARING SHIM(S). MAXIMUM ALLOWABLE SHIM STACK TO BE 1/4 INCH. SHIM WHERE SPACE OF 1/16 INCH OR GREATER OCCURS. SHIM(S) SHALL BE CONSTRUCTED OF HIGH DENSITY PLASTIC OR BETTER.
- FOR MASONRY OR CONCRETE OPENINGS, A 1X WOOD BUCK MAY BE USED (OPTIONAL) AS LONG AS THE MINIMUM EMBEDMENT AND EDGE DISTANCE REQUIREMENTS ARE STILL MET WITHIN THE CORRESPONDING HOST SUBSTRATE. SEE GENERAL NOTE #3 ON SHEET 1 FOR MORE INFORMATION.
- MINIMUM EMBEDMENT AND EDGE DISTANCE EXCLUDE WALL FINISHES, INCLUDING BUT NOT LIMITED TO STUCCO, FOAM, BRICK VENEER, AND SIDING.
- INSTALLATION ANCHORS AND ASSOCIATED HARDWARE MUST BE MADE OF CORROSION RESISTANT MATERIAL OR HAVE A CORROSION RESISTANT COATING.
- FOR HOLLOW BLOCK AND GROUT FILLED BLOCK, DO NOT INSTALL INSTALLATION ANCHORS INTO MORTAR JOINTS. EDGE DISTANCE IS MEASURED FROM FREE EDGE OF BLOCK OR EDGE OF MORTAR JOINT INTO FACE SHELL OF BLOCK.
- INSTALLATION ANCHORS SHALL BE INSTALLED IN ACCORDANCE WITH ANCHOR MANUFACTURER'S INSTALLATION INSTRUCTIONS, AND ANCHORS SHALL NOT BE USED IN SUBSTRATES WITH STRENGTHS LESS THAN THE MINIMUM STRENGTH SPECIFIED BY THE ANCHOR MANUFACTURER.

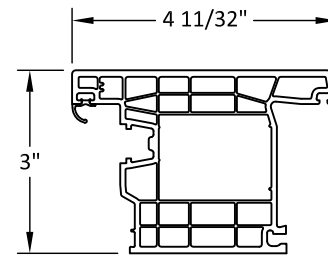
| ANCHOR SCHEDULE | | | | |
|-----------------|---|---------------------------|--|--------------------|
| METHOD | SUBSTRATE | ANCHOR SCHEDULE | MIN EMBEDMENT | MIN. EDGE DISTANCE |
| THROUGH FRAME | WOOD: MIN. SG = 0.55 | #10 WOOD SCREW FLAT HEAD | 1.5" | 0.75" |
| | METAL: 18 GAUGE Steel, MIN. Fy = 33KSI | #10 TEK SCREW FLAT HEAD | 3 THREADS MIN PENETRATION BEYOND METAL | 0.5" |
| | CONCRETE: MIN. f _c =3000PSI | 3/16" ITW TAPCON FLATHEAD | 1.25" | 2.0 |
| | MASONRY: CMU per ASTM C90 MIN. 2000 PSI | 3/16" ITW TAPCON FLATHEAD | 1" | 2.0 |

s:\projects\eurowcraft\industries\inc\fbc-18-0332-fbc-submittal-outswing-french and tilt and slide door\dwg\ec009 french door.dwg 6/10/2019 6:42 PM

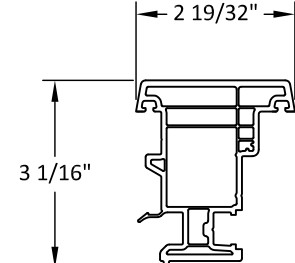
| BILL OF MATERIALS | | | |
|-------------------|----------|---------------------|----------------|
| ITEM | PART No. | DESCRIPTION | MATERIAL |
| 1 | 76102 | FRAME - RIGID VINYL | VINYL |
| 2 | 76205 | SASH | VINYL |
| 3 | 76402 | FLOATING MULLION | VINYL |
| 4 | A076 | THRESHOLD | VINYL/ALUMINUM |
| 5 | A061 | WEATHERBAR | ALUMINUM |
| 6 | A065 | ALUMINUM PROFILE | ALUMINUM |
| 7 | 2452 | I.G. GLAZING BEAD | VINYL |
| 8 | 2434 | LAMI GLAZING BEAD | VINYL |
| 9 | 2658 | GLAZING GASKET | TPV/EPDM |
| 10 | V314 | REINFORCEMENT | STEEL |
| 11 | V337 | REINFORCEMENT | STEEL |
| 12 | V310 | REINFORCEMENT | STEEL |



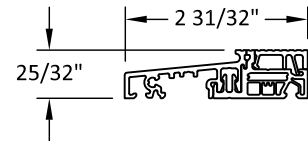
① FRAME



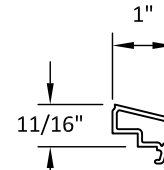
② SASH



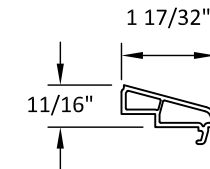
③ FLOATING MULLION



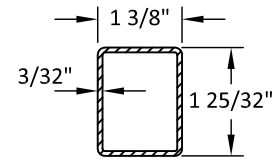
④ THRESHOLD



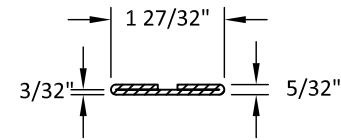
⑦ I.G. GLAZING BEAD



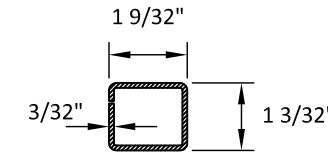
⑧ LAMI GLAZING BEAD



⑩ REINFORCEMENT



⑪ REINFORCEMENT



⑫ REINFORCEMENT

7905 NW 77TH AVE
MEDLEY, FL 33166
PH: (305) 888-5718 FX: (305) 220-5073

TITLE: 75AD OS FRENCH DOOR (IMPACT) (HVHZ)

BILL OF MATERIALS

PREPARED BY: BUILDING DROPS, INC.
398 E. DANIA BEACH BLVD., STE. 338
DANIA BEACH, FL 33004
PH: (954) 399-8478
FAX: (954) 744-4738
WEB: www.buildingdrops.com

| REMARKS | BY | DATE |
|---------|----|------|
| | | |
| | | |
| | | |

THE INSTALLATION DETAILS DESCRIBED HERE IN ARE GENERIC AND MAY NOT REFLECT ACTUAL CONDITIONS FOR A SPECIFIC SITE. IF SITE CONDITIONS CAUSE INSTALLATION TO DEVIATE FROM THE REQUIREMENTS DETAILED HEREIN, A LICENSED ENGINEER OR ARCHITECT SHALL PREPARE SITE SPECIFIC DOCUMENTS FOR USE WITH THIS DOCUMENT.

HERMES F. NORERO, P.E.
FLORIDA P.E. No. 73778
BUILDING DROPS, INC
398 E. DANIA BEACH BLVD. # 338
DANIA BEACH, FL 33004
FBPE CERT. OF AUTHORIZATION No. 29578

FL #: **FL27615**

DATE: **05.02.19**

DWG. BY: **EG** CHK. BY: **HFN**

SCALE: **NTS**

DWG. #: **ECI009**

SHEET: **8**