

# EUROCRAFT INDUSTRIES INC.

## 76AD OUT-SWING CASEMENT/TILT & TURN WINDOW (IMPACT) (HVHZ)



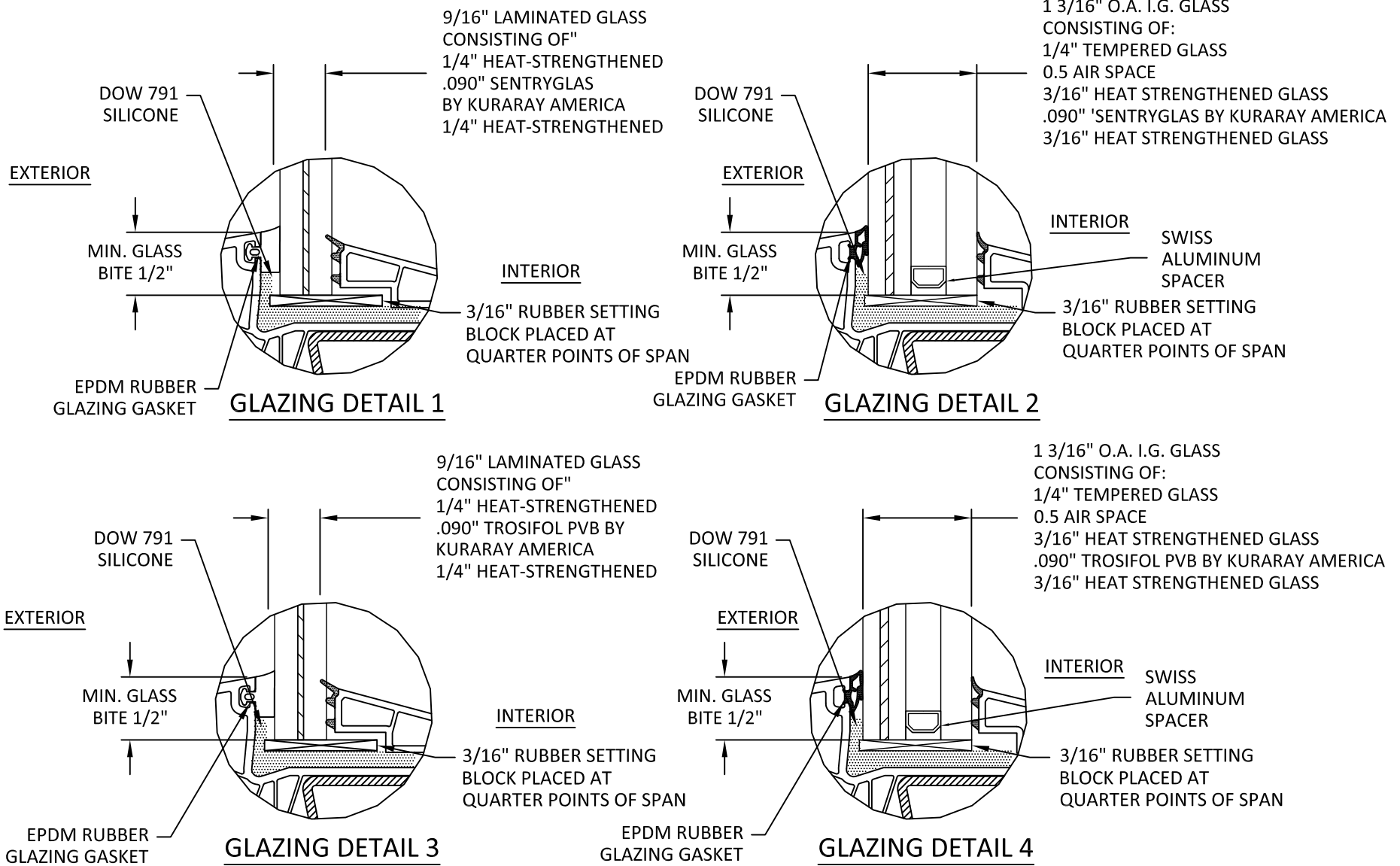
7905 NW 77TH AVE  
MEDLEY, FL 33166  
PH: (305) 888-5718 FX: (305) 220-5073

**GENERAL NOTES:**

- THE PRODUCT SHOWN HEREIN IS DESIGNED AND MANUFACTURED TO COMPLY WITH THE CURRENT EDITION FLORIDA BUILDING CODE (FBC), INCLUDING HVHZ AND HAS BEEN EVALUATED ACCORDING TO THE FOLLOWING:
  - TAS 201-94
  - TAS 202-94
  - TAS 203-94
- ADEQUACY OF THE EXISTING STRUCTURAL CONCRETE/MASONRY, 2X FRAMING, AND METAL FRAMING AS A MAIN WIND FORCE RESISTING SYSTEM CAPABLE OF WITHSTANDING AND TRANSFERRING APPLIED PRODUCT LOADS TO THE FOUNDATION IS THE RESPONSIBILITY OF THE ENGINEER OR ARCHITECT OF RECORD FOR THE PROJECT OF INSTALLATION.
- 1X AND 2X BUCKS (WHEN USED) SHALL BE DESIGNED AND ANCHORED TO PROPERLY TRANSFER ALL LOADS TO THE STRUCTURE. BUCK DESIGN AND INSTALLATION IS THE RESPONSIBILITY OF THE ENGINEER OR ARCHITECT OF RECORD FOR THE PROJECT OF INSTALLATION.
- INSTALL INDIVIDUAL INSTALLATION ANCHORS WITHIN A TOLERANCE OF ±1/4 INCH OF THE DEPICTED LOCATION IN THE ANCHOR LAYOUT DETAIL (I.E., WITHOUT CONSIDERATION OF TOLERANCES). TOLERANCES ARE NOT CUMULATIVE FROM ONE INSTALLATION ANCHOR TO THE NEXT.
- THE INSTALLATION DETAILS DESCRIBED HEREIN ARE GENERIC AND MAY NOT REFLECT ACTUAL CONDITIONS FOR A SPECIFIC SITE. IF SITE CONDITIONS CAUSE INSTALLATION TO DEVIATE FROM THE REQUIREMENTS DETAILED HEREIN, A LICENSED ENGINEER OR ARCHITECT SHALL PREPARE SITE SPECIFIC DOCUMENTS FOR USE WITH THIS DOCUMENT IN NON-HVHZ AREAS. IN HVHZ AREAS, ONE TIME PRODUCT APPROVAL TO BE OBTAINED FROM MIAMI-DADE RER OR AHJ.
- APPROVED IMPACT PROTECTIVE SYSTEM **IS NOT REQUIRED** ON THIS PRODUCT IN AREAS REQUIRING IMPACT RESISTANCE.
- WINDOW FRAME MATERIAL: RIGID PVC
- GLASS MEETS THE REQUIREMENTS OF ASTM E 1300 GLASS CHARTS. SEE SHEET 1 FOR GLAZING DETAILS.

MAX OVERALL SIZE		CONFIG.	DESIGN PRESSURE	MISSILE IMPACT RATING
WIDTH	HEIGHT			
48"	84"	X	+/- 120 PSF	LMI
96"	84"	XX	+/- 120 PSF	LMI

TABLE OF CONTENTS		
SHEET	REVISION	SHEET DESCRIPTION
1	-	GENERAL NOTES AND GLAZING DETAILS
2	-	ELEVATIONS & ANCHOR LAYOUTS
3	-	ELEVATIONS & ANCHOR LAYOUTS
4	-	VERTICAL & HORIZONTAL SECTIONS
5	-	VERTICAL & HORIZONTAL SECTIONS
6	-	INSTALLATION NOTES ANCHOR DETAILS
7	-	COMPONENTS & BILL OF MATERIALS
8	-	MULTIPOINT HARDWARE



**NOTE:**

- GLASS TYPE THICKNESS SHALL COMPLY WITH ASTM E-1300 GLASS CHART REQUIREMENTS.
- ALL GLAZING CONFIGURATIONS SHALL COMPLY WITH SAFETY GLAZING REQUIREMENTS OUTLINED IN CURRENT FBC
- SETTING BLOCK SHOULD BE 70-90 DUROMETER AS PER CH 24 OF THE CURRENT FBC.
- GLASS LITES THAT EXCEED 36" IN WIDTH SHALL USE SETTING BLOCKS AT 1/4 SPAN FROM CORNERS.

TITLE: 76AD OUT-SWING CASEMENT/TILT & TURN WINDOW (IMPACT) (HVHZ)

GENERAL NOTES AND GLAZING DETAILS

PREPARED BY: BUILDING DROPS, INC.  
398 E. DANIA BEACH BLVD., STE. 338  
DANIA BEACH, FL 33004  
PH: (954) 399-8478  
FAX: (954) 744-4738  
WEB: www.buildingdrops.com

REMARKS	BY	DATE

THE INSTALLATION DETAILS DESCRIBED HEREIN ARE GENERIC AND MAY NOT REFLECT ACTUAL CONDITIONS FOR A SPECIFIC SITE. IF SITE CONDITIONS CAUSE INSTALLATION TO DEVIATE FROM THE REQUIREMENTS DETAILED HEREIN, A LICENSED ENGINEER OR ARCHITECT SHALL PREPARE SITE SPECIFIC DOCUMENTS FOR USE WITH THIS DOCUMENT

HERMES F. NORERO, P.E.  
FLORIDA P.E. No. 73778  
BUILDING DROPS, INC.  
398 E. DANIA BEACH BLVD. # 338  
DANIA BEACH, FL 33004  
FBPE CERT. OF AUTHORIZATION No. 29578

FL#: **FL29689**

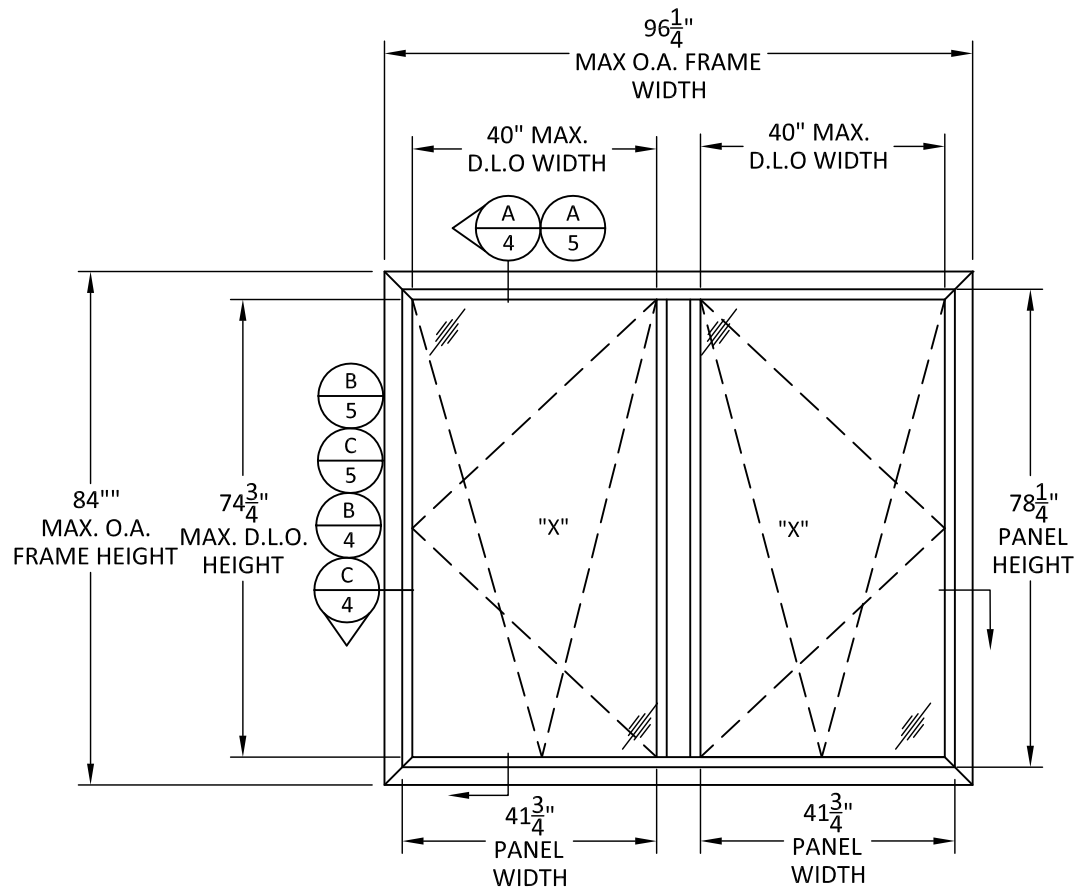
DATE: **06.09.19**

DWG. BY: **EG**      CHK. BY: **HFN**

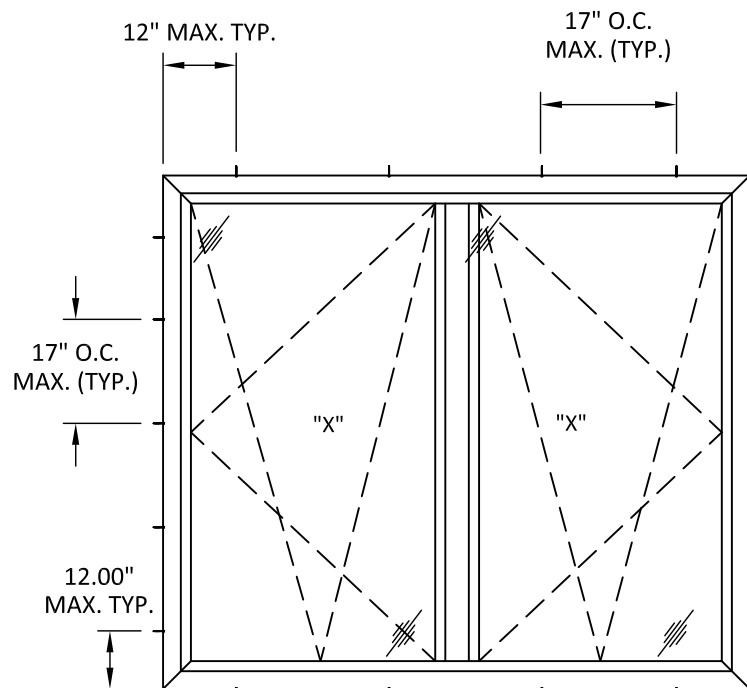
SCALE: **NTS**

DWG. #: **ECI015**

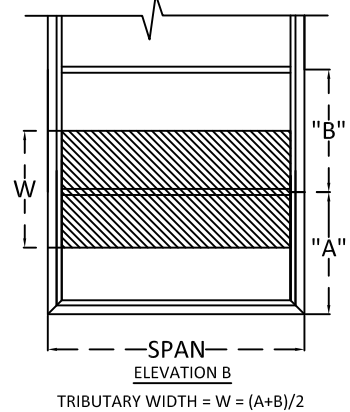
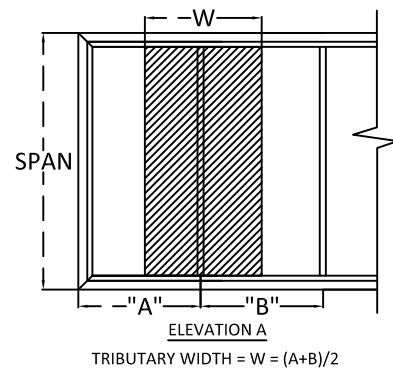
SHEET: **1** OF 8



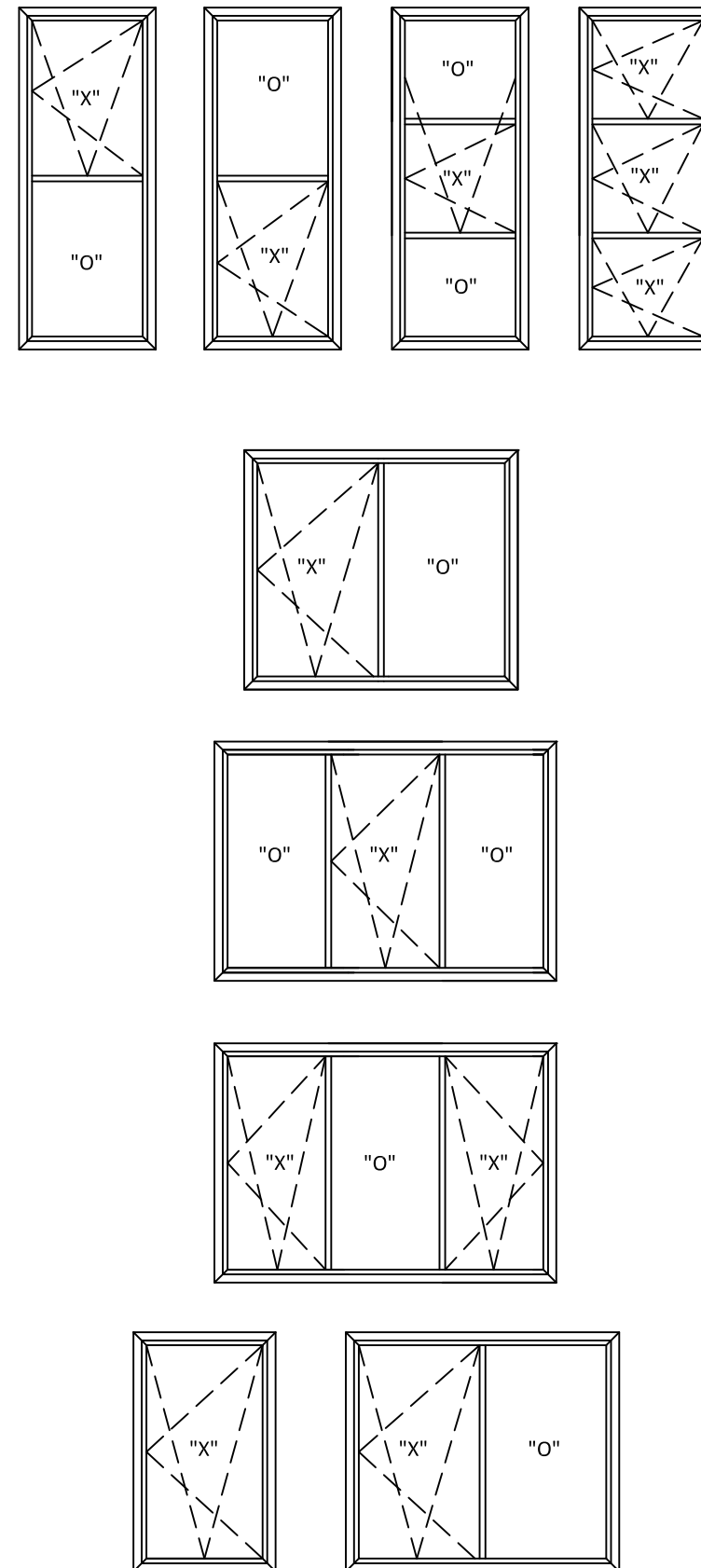
**ELEVATION**  
INSWING OR OUTSWING



**ANCHOR LAYOUT**  
THROUGH FRAME



**QUALIFIED CONFIGURATIONS**



DESIGN PRESSURE TABLE (psf) - CASEMENT/T&T WINDOW WITH GLAZING DETAILS G1-G4								
		PANEL WIDTH (INCHES)						
		24	30	36	42	48	54	66
PANEL HEIGHT (INCHES)	60	120.0	120.0	120.0	120.0	120.0	106.7	105.6
	66	120.0	120.0	120.0	120.0	120.0	106.7	-
	72	120.0	120.0	120.0	120.0	120.0	106.7	-
	78	120.0	120.0	120.0	120.0	120.0	-	-
	84	120.0	120.0	120.0	120.0	120.0	-	-
	90	120.0	120.0	120.0	120.0	-	-	-
	96	120.0	120.0	120.0	120.0	-	-	-
	102	120.0	120.0	120.0	-	-	-	-
	108	120.0	120.0	120.0	-	-	-	-
	114	120.0	120.0	-	-	-	-	-
120	120.0	120.0	-	-	-	-	-	

NOTE:  
TABLE APPLIES TO ITEMS 5 AND 10

7905 NW 77TH AVE  
MEDLEY, FL 33166  
PH: (305) 888-5718 FX: (305) 220-5073

TITLE: 76AD OUT-SWING CASEMENT/TILT & TURN WINDOW (IMPACT) (HVHZ) ELEVATIONS AND ANCHOR LAYOUTS

PREPARED BY: BUILDING DROPS, INC.  
398 E. DANIA BEACH BLVD., STE. 338  
DANIA BEACH, FL 33004  
PH: (954) 399-8478  
FAX: (954) 744-4738  
WEB: www.buildingdrops.com

REMARKS	BY	DATE

THE INSTALLATION DETAILS DESCRIBED HEREIN ARE GENERIC AND MAY NOT REFLECT ACTUAL CONDITIONS FOR A SPECIFIC SITE. IF SITE CONDITIONS CAUSE INSTALLATION TO DEVIATE FROM THE REQUIREMENTS DETAILED HEREIN, A LICENSED ENGINEER OR ARCHITECT SHALL PREPARE SITE SPECIFIC DOCUMENTS FOR USE WITH THIS DOCUMENT

HERMES F. NORERO, P.E.  
FLORIDA P.E. No. 73778  
BUILDING DROPS, INC  
398 E. DANIA BEACH BLVD. # 338  
DANIA BEACH, FL 33004  
FBPE CERT. OF AUTHORIZATION No. 29578

FL#: **FL29689**

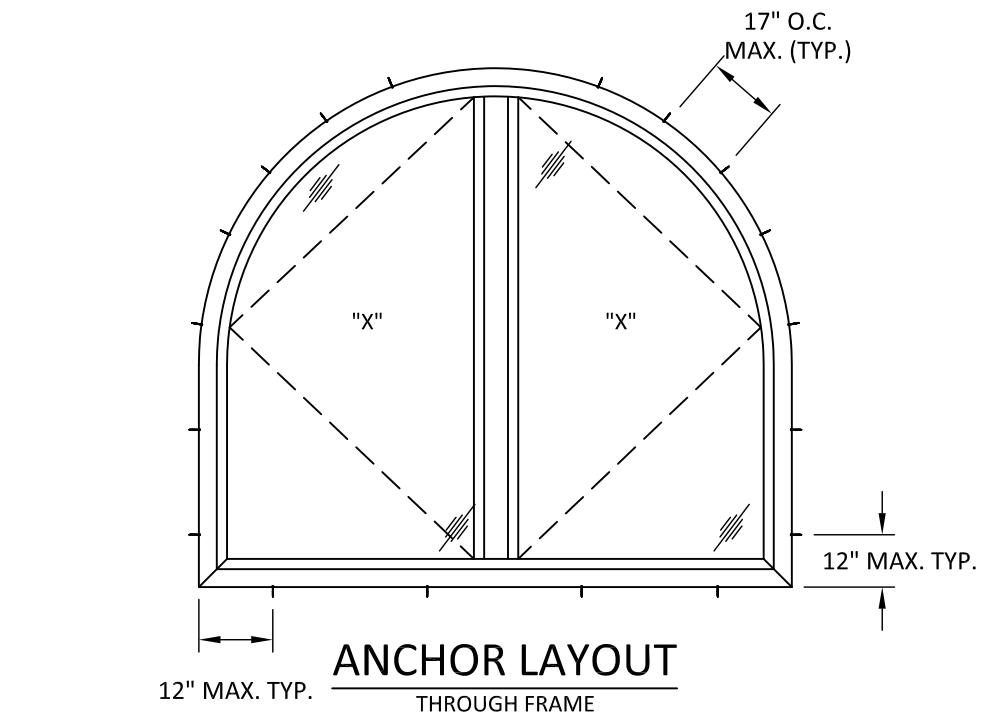
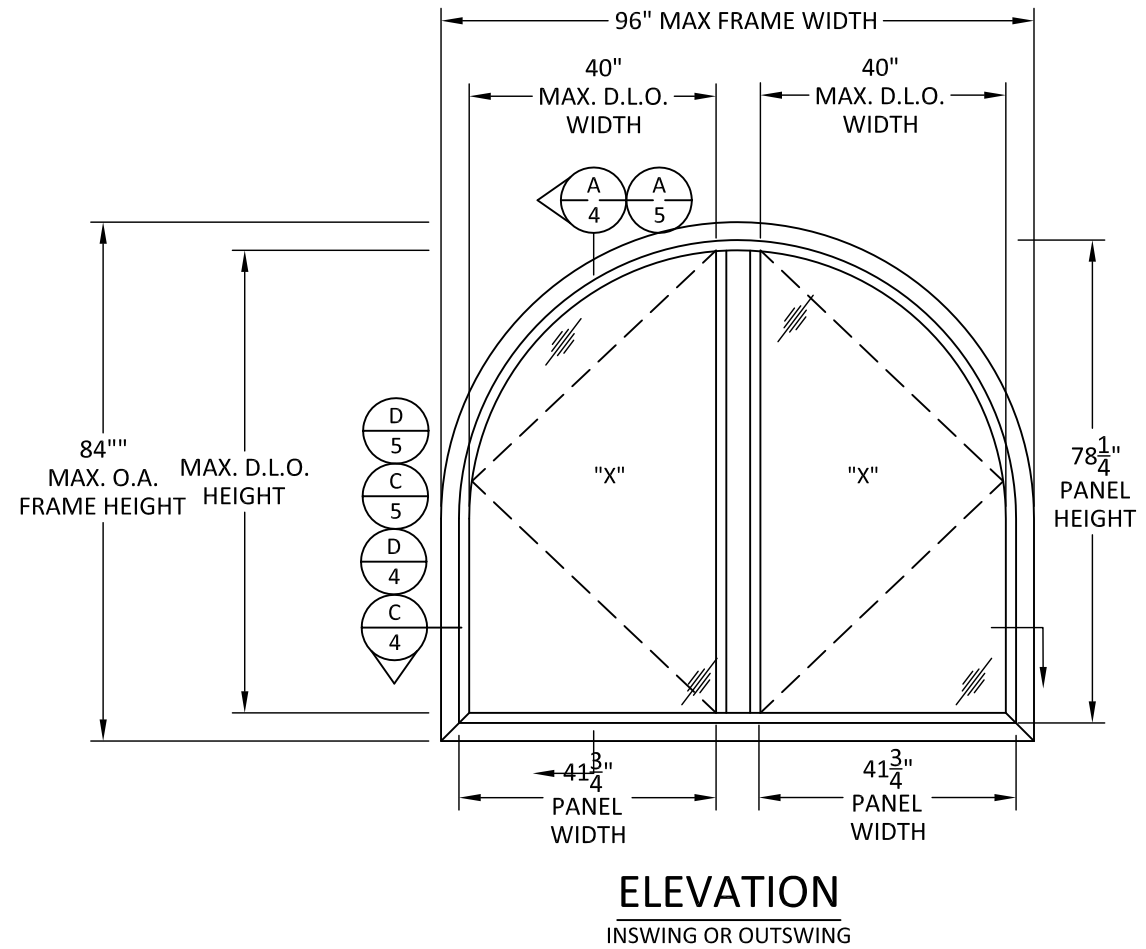
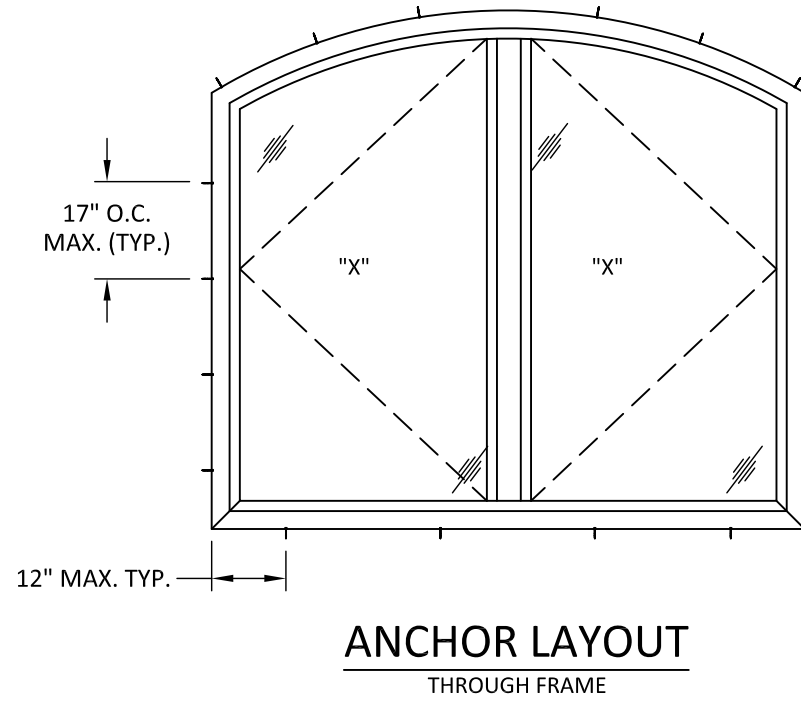
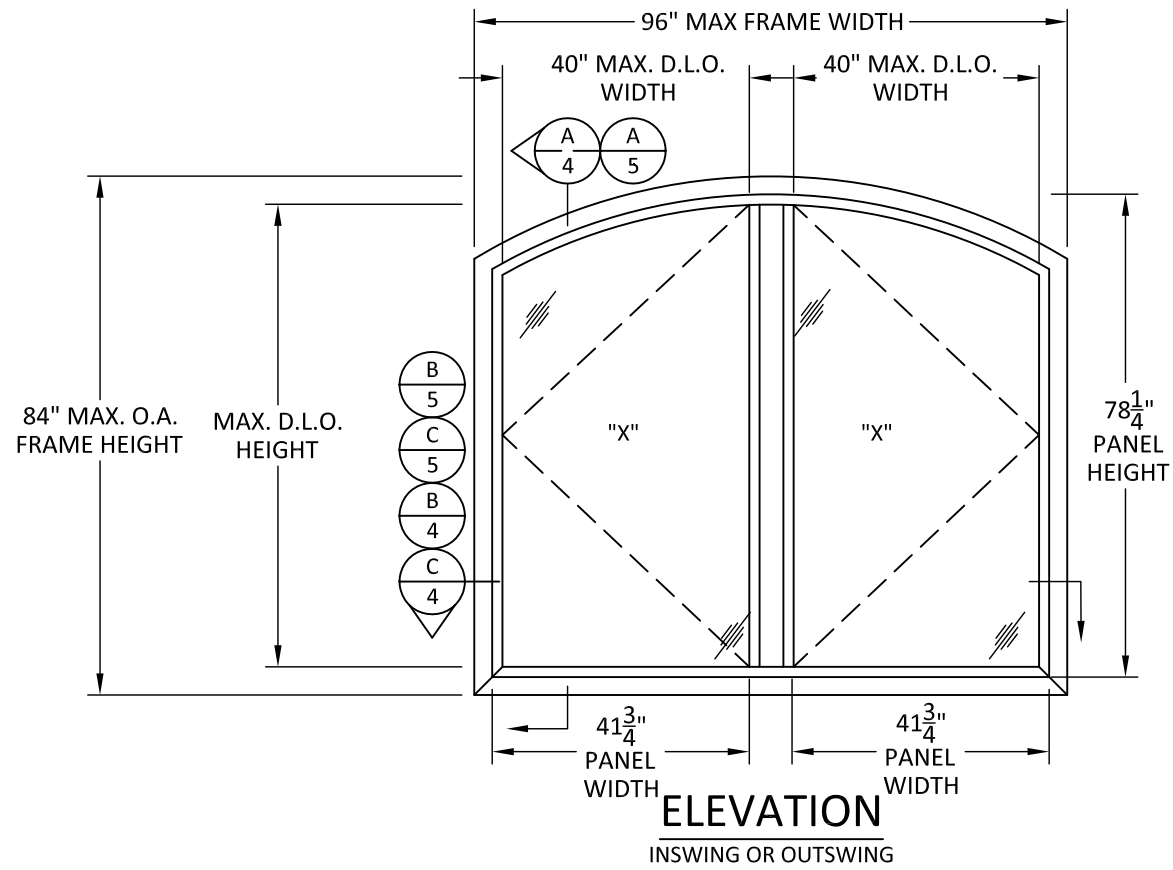
DATE: **06.09.19**

DWG. BY: **EG** CHK. BY: **HFN**

SCALE: **NTS**

DWG. #: **ECI015**

6/21/2019 10:11 AM



7905 NW 77TH AVE  
MEDLEY, FL 33166  
PH: (305) 888-5718 FX: (305) 220-5073

TITLE: 76AD OUT-SWING CASEMENT/TILT & TURN WINDOW (IMPACT) (HVHZ)

ELEVATIONS AND ANCHOR LAYOUTS

PREPARED BY: **BUILDING DROPS, INC.**  
398 E. DANIA BEACH BLVD., STE. 338  
DANIA BEACH, FL 33004  
PH: (954) 399-8478  
FAX: (954) 744-4738  
WEB: www.buildingdrops.com



REMARKS	BY	DATE

THE INSTALLATION DETAILS DESCRIBED HEREIN ARE GENERIC AND MAY NOT REFLECT ACTUAL CONDITIONS FOR A SPECIFIC SITE. IF SITE CONDITIONS CAUSE INSTALLATION TO DEVIATE FROM THE REQUIREMENTS DETAILED HEREIN, A LICENSED ENGINEER OR ARCHITECT SHALL PREPARE SITE SPECIFIC DOCUMENTS FOR USE WITH THIS DOCUMENT

HERMES F. NORERO, P.E.  
FLORIDA P.E. No. 73778  
BUILDING DROPS, INC  
398 E. DANIA BEACH BLVD. # 338  
DANIA BEACH, FL 33004  
FBPE CERT. OF AUTHORIZATION No. 29578


FL#:	<b>FL29689</b>
DATE:	<b>06.09.19</b>
DWG. BY:	<b>EG</b>
CHK. BY:	<b>HFN</b>
SCALE:	<b>NTS</b>
DWG. #:	<b>ECI015</b>
SHEET:	<b>3</b>





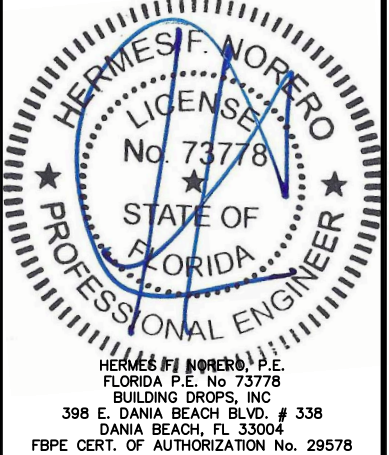
7905 NW 77TH AVE  
MEDLEY, FL 33166  
PH: (305) 888-5718 FX: (305) 220-5073

TITLE:  
76AD OUT-SWING CASEMENT/TILT & TURN WINDOW (IMPACT) (HVHZ)  
VERTICAL SECTIONS AND HORIZONTAL SECTIONS

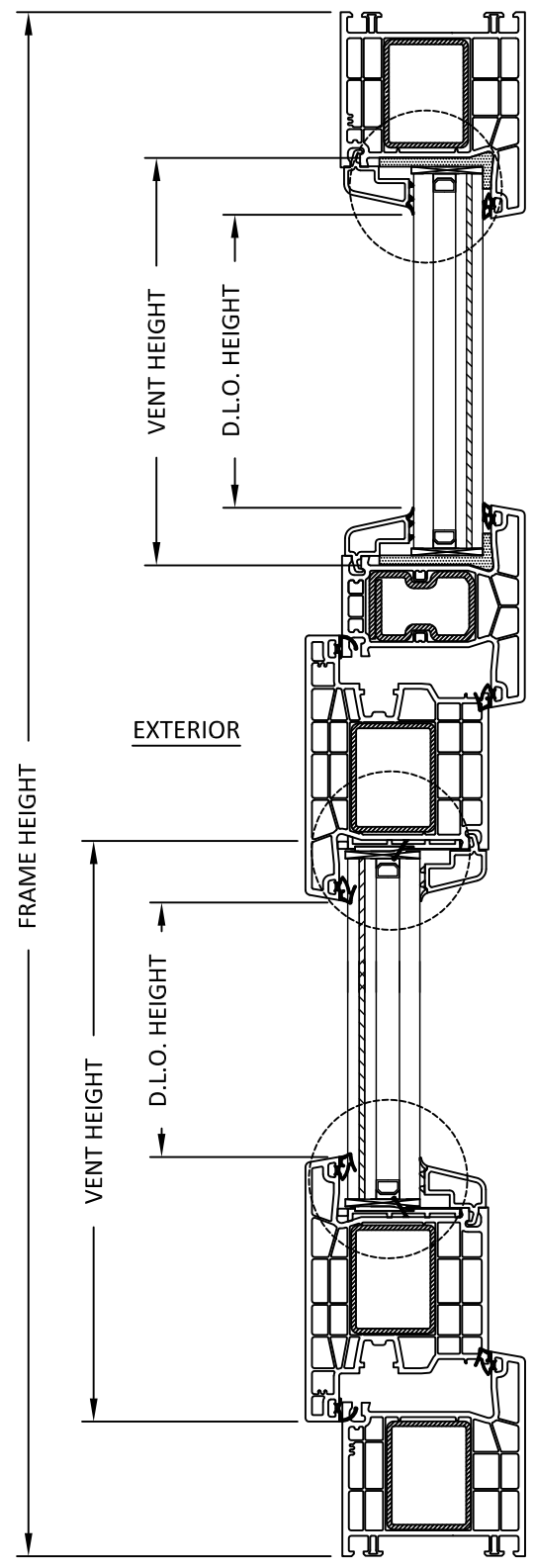
PREPARED BY:  
  
**BUILDING DROPS, INC.**  
398 E. DANIA BEACH BLVD., STE. 338  
DANIA BEACH, FL 33004  
PH: (954) 399-8478  
FAX: (954) 744-4738  
WEB: www.buildingdrops.com

REMARKS	BY	DATE

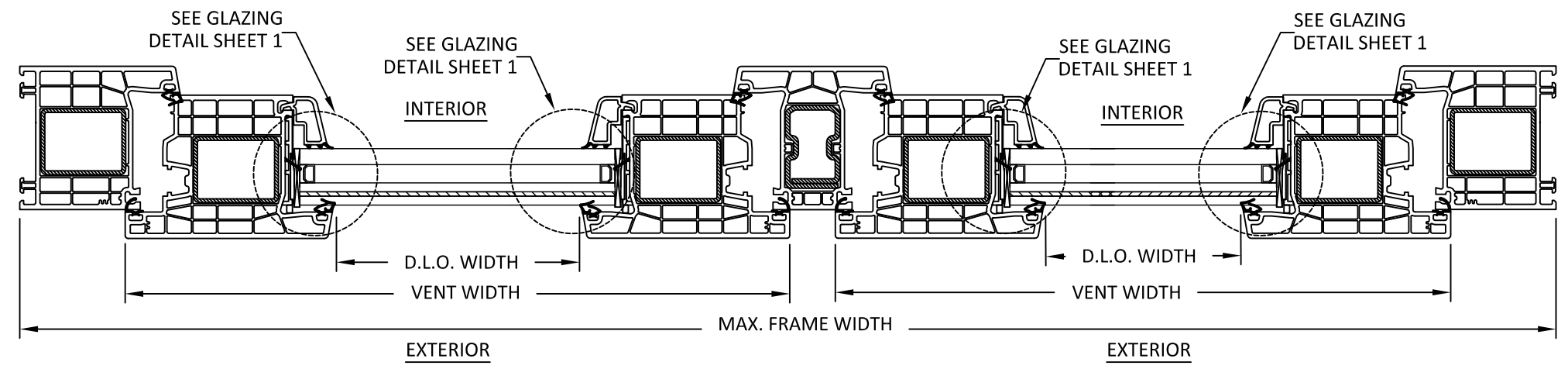
THE INSTALLATION DETAILS DESCRIBED HEREIN ARE GENERIC AND MAY NOT REFLECT ACTUAL CONDITIONS FOR A SPECIFIC SITE. IF SITE CONDITIONS CAUSE INSTALLATION TO DEVIATE FROM THE REQUIREMENTS DETAILED HEREIN, A LICENSED ENGINEER OR ARCHITECT SHALL PREPARE SITE SPECIFIC DOCUMENTS FOR USE WITH THIS DOCUMENT



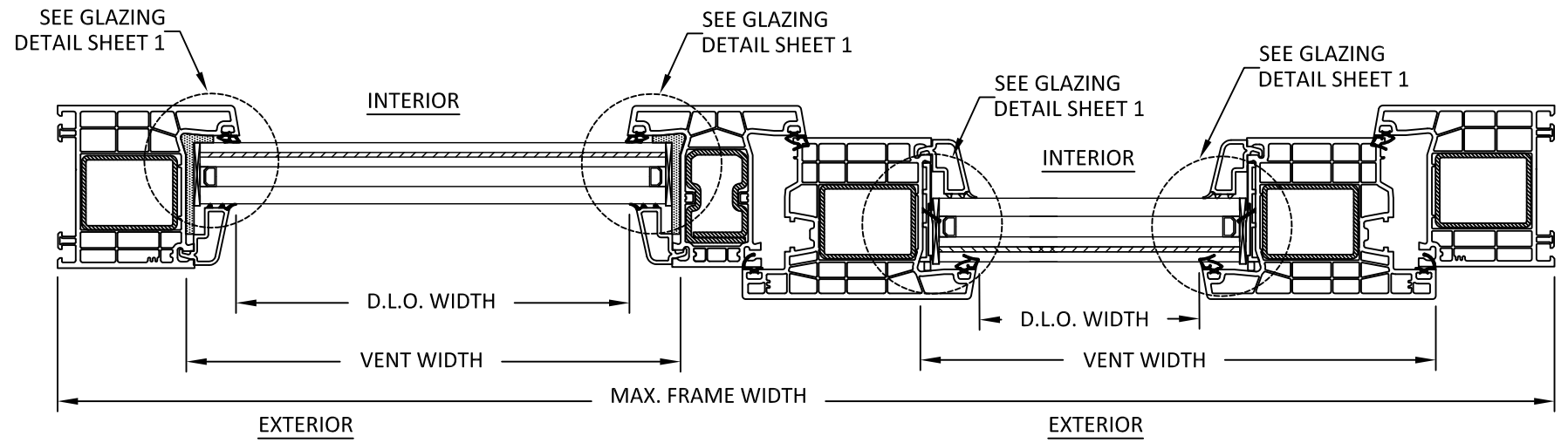
FL#:	FL29689
DATE:	06.09.19
DWG. BY:	EG
CHK. BY:	HFN
SCALE:	NTS
DWG. #:	ECI015
SHEET:	5



**A**  
**5** VERTICAL SECTION  
OPERABLE FIXED WINDOW



**B**  
**5** HORIZONTAL SECTION  
OPERABLE TWIN WINDOW



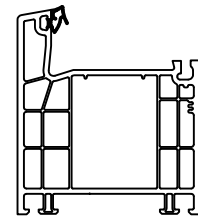
**C**  
**5** HORIZONTAL SECTION  
OPERABLE FIXED WINDOW

6/21/2019 10:11 AM s:\projects\eurocraft\industries\inc\fbc-18-0524\fbc-submittal-76md-os-casement-76ad-is-french-door\dwg\eci015-out-swing.cs.dwg

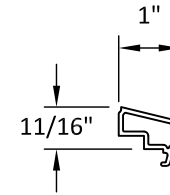


**BILL OF MATERIALS**  
**OUT-SWING**

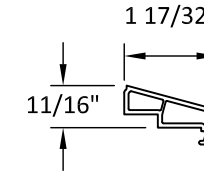
ITEM	PART No.	DESCRIPTION	MATERIAL
1	76102	FRAME - RIGID VINYL	VINYL
2	2434	I.G. GLAZING BEAD	VINYL
3	2452	MONO GLAZING BEAD	VINYL
4	-	GLAZING GASKET (RUBBER 70 DUR)	EPDM
5	76302	MULLION	VINYL
6	V314	REINFORCEMENT	STEEL
7	V326	REINFORCEMENT	STEEL
8	V319	REINFORCEMENT	TPV
9	76205	SASH	VINYL
10	76402	MULLION	VINYL
11	V310	REINFORCEMENT	STEEL



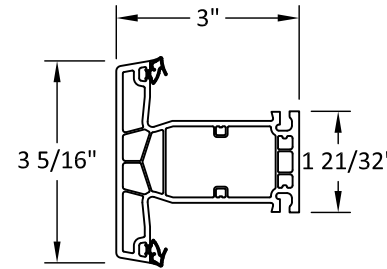
① FRAME



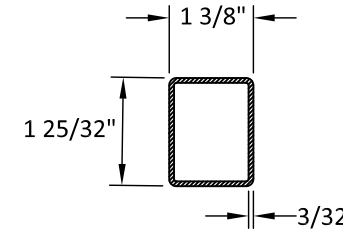
② I.G. GLAZING BEAD



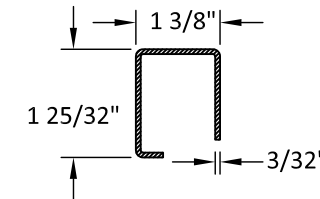
③ LAMI GLAZING BEAD



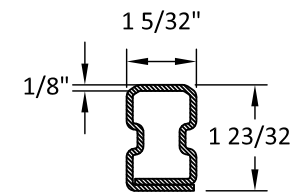
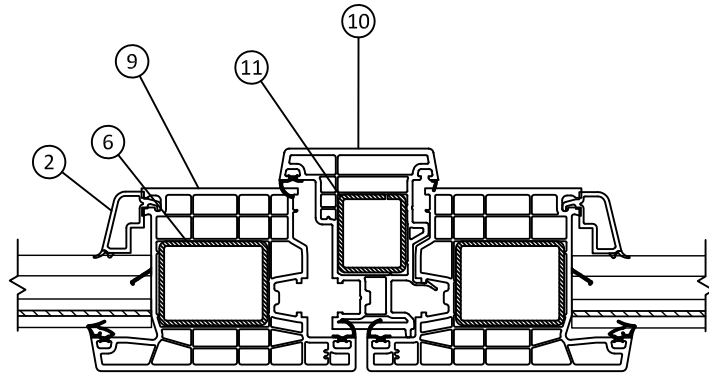
⑤ MULLION



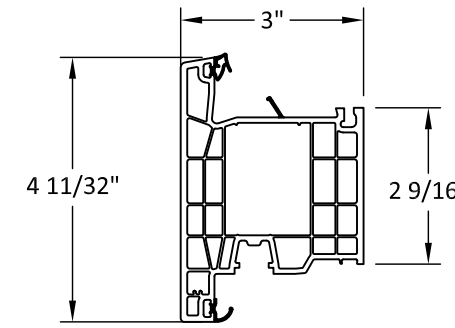
⑥ REINFORCEMENT



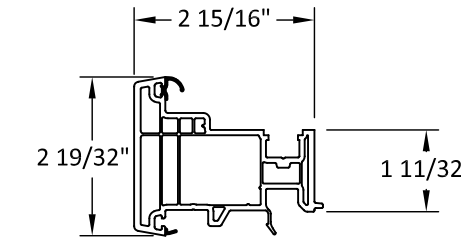
⑦ REINFORCEMENT



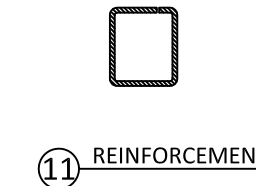
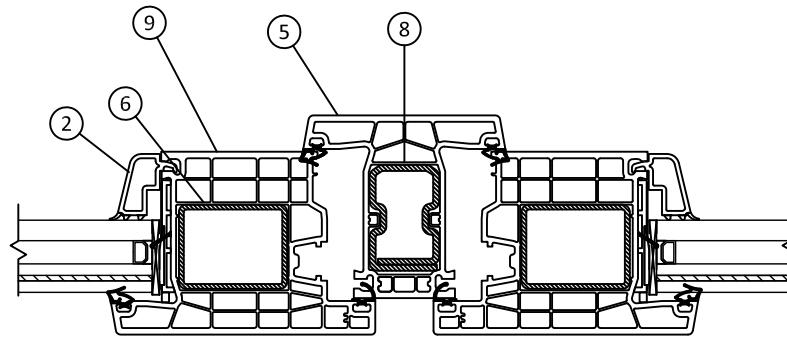
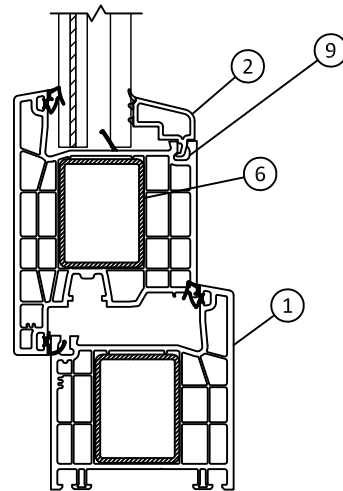
⑧ REINFORCEMENT



⑨ MULLION



⑩ MULLION



⑪ REINFORCEMENT



7905 NW 77TH AVE  
MEDLEY, FL 33166  
PH: (305) 888-5718 FX: (305) 220-5073

TITLE:  
76AD OUT-SWING CASEMENT/TILT &  
TURN WINDOW (IMPACT) (HVHZ)

COMPONENTS & BILL OF MATERIALS

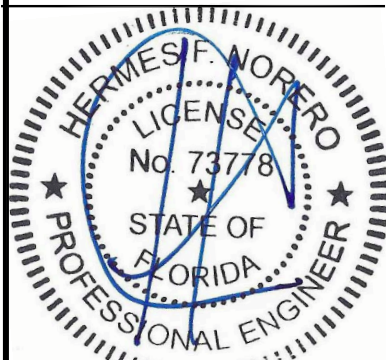
PREPARED BY:

**BUILDING DROPS, INC.**  
398 E. DANIA BEACH BLVD., STE. 338  
DANIA BEACH, FL 33004  
PH: (954)399-8478  
FAX: (954)744-4738  
WEB: www.buildingdrops.com



REMARKS	BY	DATE

THE INSTALLATION DETAILS DESCRIBED HEREIN ARE GENERIC AND MAY NOT REFLECT ACTUAL CONDITIONS FOR A SPECIFIC SITE. IF SITE CONDITIONS CAUSE INSTALLATION TO DEVIATE FROM THE REQUIREMENTS DETAILED HEREIN, A LICENSED ENGINEER OR ARCHITECT SHALL PREPARE SITE SPECIFIC DOCUMENTS FOR USE WITH THIS DOCUMENT



HERMES F. NORERO, P.E.  
FLORIDA P.E. No. 73778  
BUILDING DROPS, INC  
398 E. DANIA BEACH BLVD. # 338  
DANIA BEACH, FL 33004  
FBPE CERT. OF AUTHORIZATION No. 29578

FL#: **FL29689**

DATE: **06.09.19**

DWG. BY: **EG** CHK. BY: **HFN**

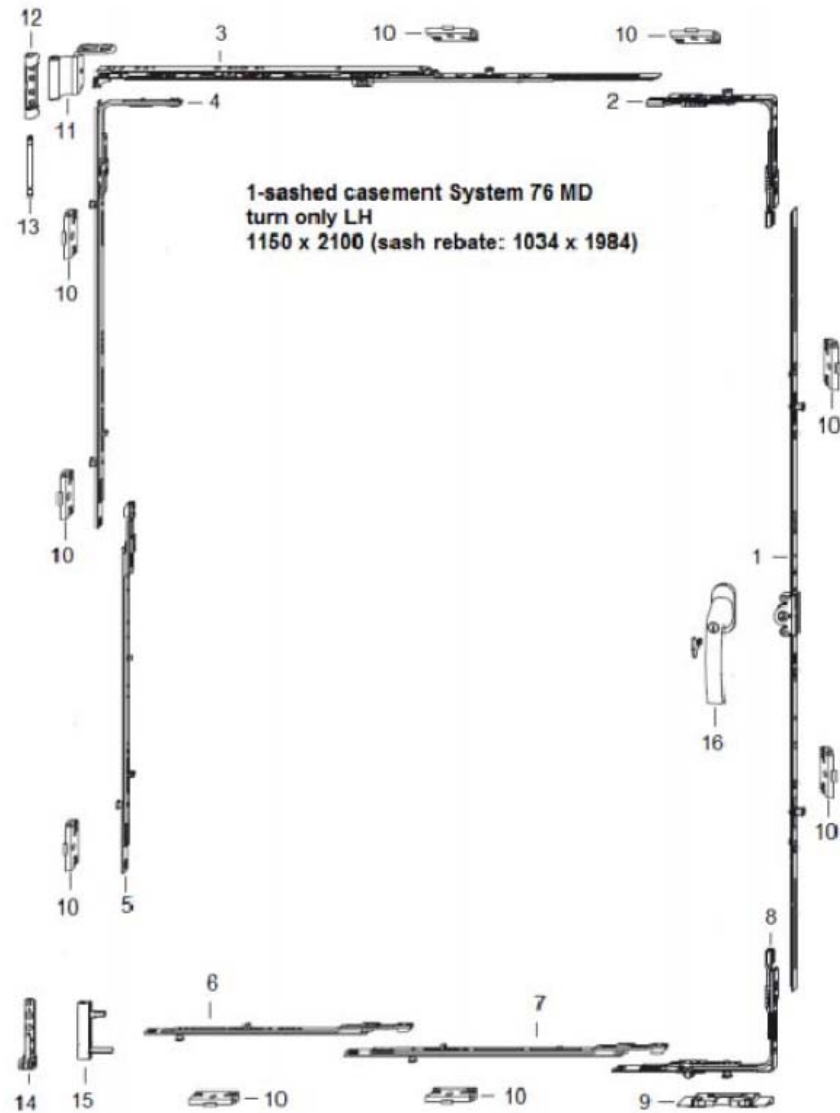
SCALE: **NTS**

DWG. #: **ECI015**

SHEET:

s:\projects\eurowcraft\industries\inc\lbc-18-0524\_lbc\_submittal\_76md os casement & 76sd is french door\dwgs\ecI015 - out-swing cs.dwg 6/21/2019 10:11 AM

# MULTIPOINT HARDWARE



Pos.	part description	part code
1	gear 15 AF sz.160 2RS 70	TGMK4170-...
2	corner drive AF VSO 1RS	TEUL4010-...
3	stay AF sz.3 1RS	TSKK2030-...
4	corn.drive BS/K3 sz 2+ 2RS	TEUL2390-...
5	linkage BS/FH sz 3+ 1RS	TZBS0300-...
6	extension sz 3+ 1RS	TVSL0330-...
7	linkage BS/FH sz 1+ 1RS	TZBS0180-...
8	corn.drive AF VSU/K+ FH 1S	TEUL5010-...
9	tilt lock bearing S-ES FH A4460	FRKA0100-...
10	striker plate S-RS 3SL A4460	TRSK0600-...
11	stay hinge 12/20-13 DH	TBWB6050-...
12	top hinge KF D6x24 DH	TBSL6140-...
13	top hinge pin poly	TBSB6020-...
14	bottom hinge KF D6x3/24	TBEL6120-...
15	corner hinge KF D6x16/36 D5 ADV	TBEB6140-...
16	handle Globe 35/12 ABS100 SEC	ZHGA0060-...



7905 NW 77TH AVE  
MEDLEY, FL 33166  
PH: (305) 888-5718 FX: (305) 220-5073

TITLE:  
76AD OUT-SWING CASEMENT/TILT &  
TURN WINDOW (IMPACT) (HVHZ)

MULTIPOINT HARDWARE

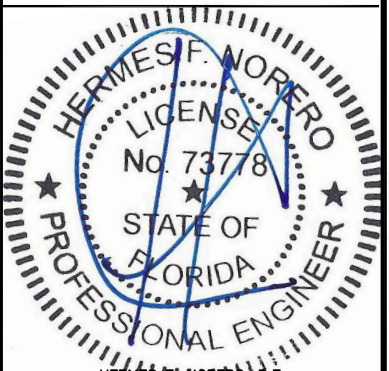
PREPARED BY:  
BUILDING DROPS, INC.

398 E. DANIA BEACH BLVD., STE. 338  
DANIA BEACH, FL 33004  
PH: (954)399-8478  
FAX: (954)744-4738  
WEB: www.buildingdrops.com



REMARKS	BY	DATE

THE INSTALLATION DETAILS DESCRIBED HEREIN ARE GENERIC AND MAY NOT REFLECT ACTUAL CONDITIONS FOR A SPECIFIC SITE. IF SITE CONDITIONS CAUSE INSTALLATION TO DEVIATE FROM THE REQUIREMENTS DETAILED HEREIN, A LICENSED ENGINEER OR ARCHITECT SHALL PREPARE SITE SPECIFIC DOCUMENTS FOR USE WITH THIS DOCUMENT



HERMES F. NORERO, P.E.  
FLORIDA P.E. No 73778  
BUILDING DROPS, INC  
398 E. DANIA BEACH BLVD. # 338  
DANIA BEACH, FL 33004  
FBPE CERT. OF AUTHORIZATION No. 29578

FL#: FL29689

DATE: 06.09.19

DWG. BY: EG      CHK. BY: HFN

SCALE: NTS

DWG. #: ECI015

SHEET:

s:\projects\eurowcraft\industries\inc\fbc-18-0524 fbc submittal - 76md os casement & 76ad os casement & 76ad is french door\dwgs\eci015 - out-swing cs.dwg 6/21/2019 10:11 AM