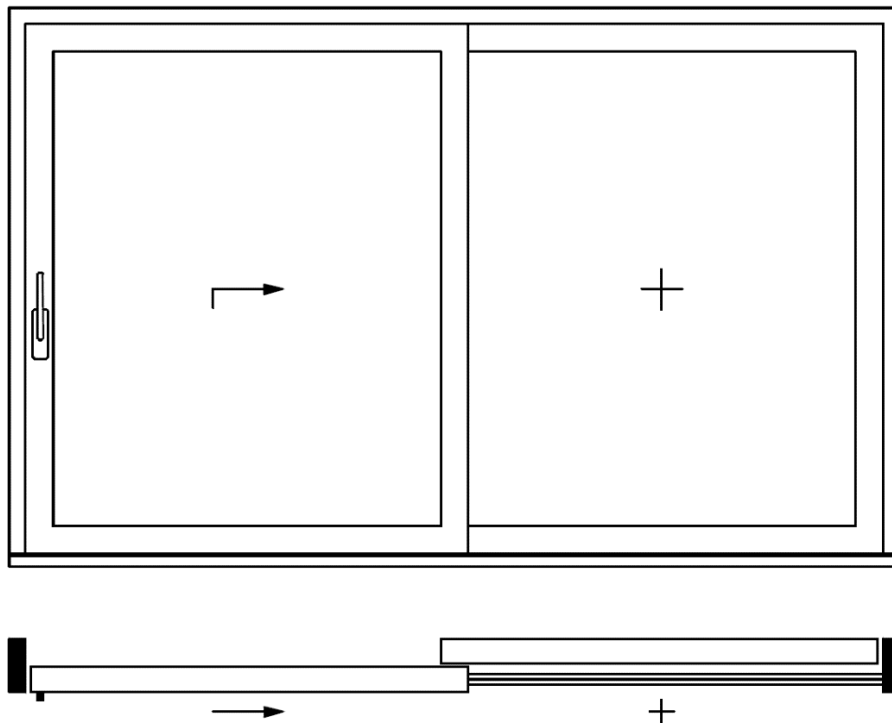




Installation Instructions for Premidoor 2 Panel (XO or OX configuration)

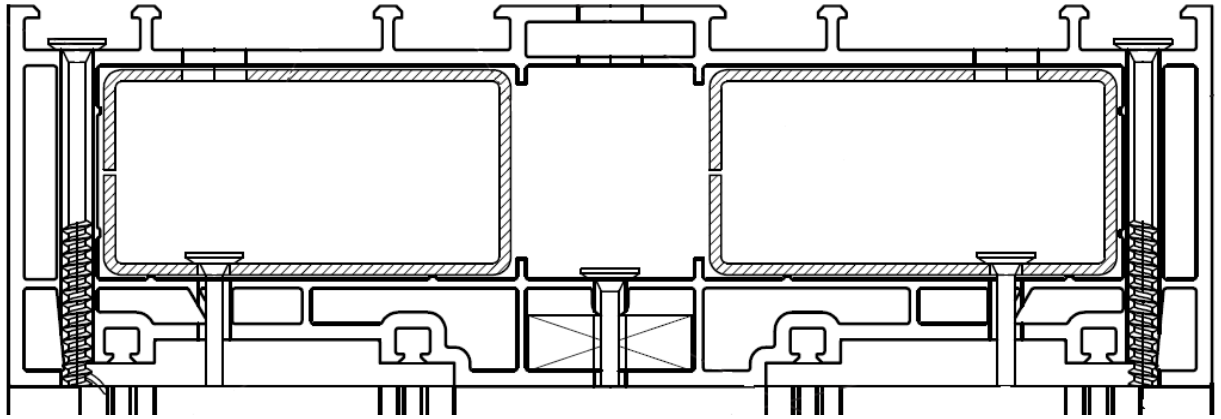


Step 1

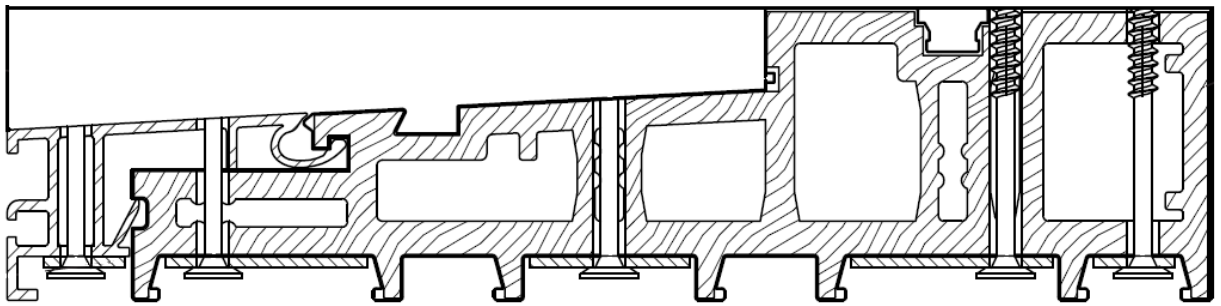
Open the frame package and you will find 20 #10 x3.5" screws to use for installation. Select the matching board to the profile of the Top, Bottom and Jamb. Note: The gasket must be facing towards outside of the house on the frame.

Step 2

Using screws #10 x 3.5" insert the into the Top frame as shown by the diagram.



Bottom of the frame should be secured with screws #10 x 3.5 in the locations as shown in the diagram.

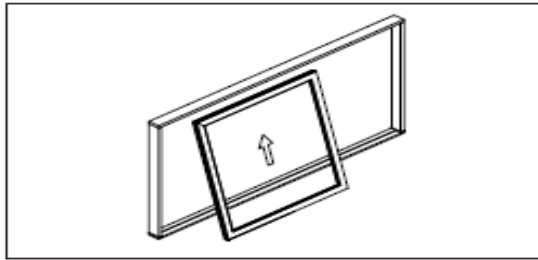


Step 3

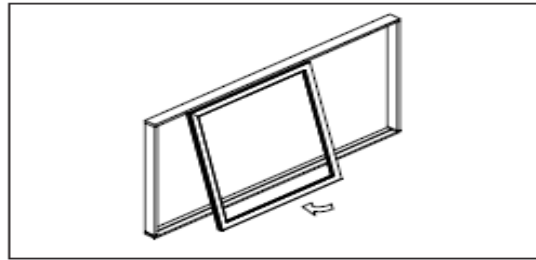
Install the frame into the opening.

Step 4

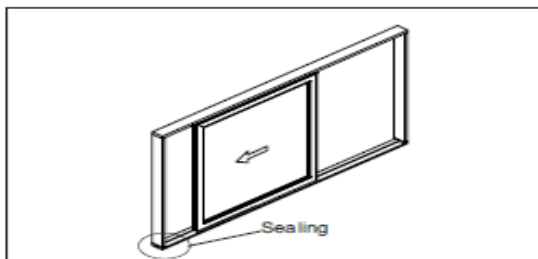
Install the fixed sash in the following order.



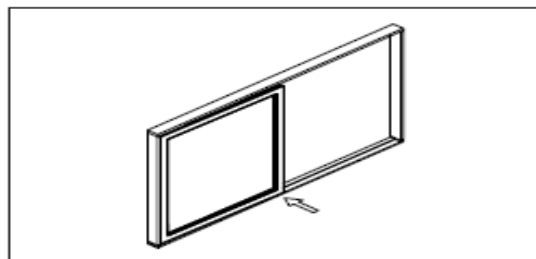
1. Introduce the sash in the top casement section



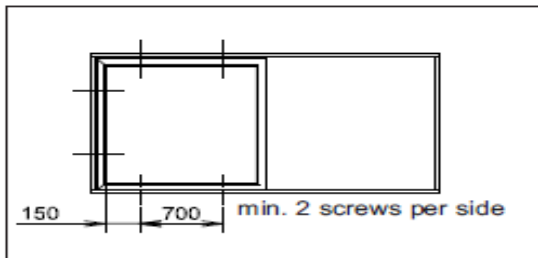
2. Pull the bottom sash section down to the threshold or track section.



3. Press the sash against the vertical casement



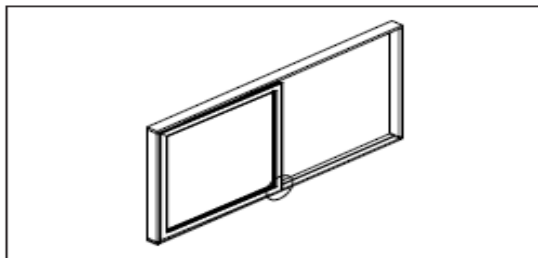
4. Pull the bottom sash section to the stop. Secure at this position with e.g. screw clamps (shims required)



Secure the sides and top of the System A sash with 6 x 130 mm screws and the bottom with 6 x 120 mm screws, each 150 mm from the sash rebate's inside corner.



6. Seal the fixed sash before fitting the cap **M029**



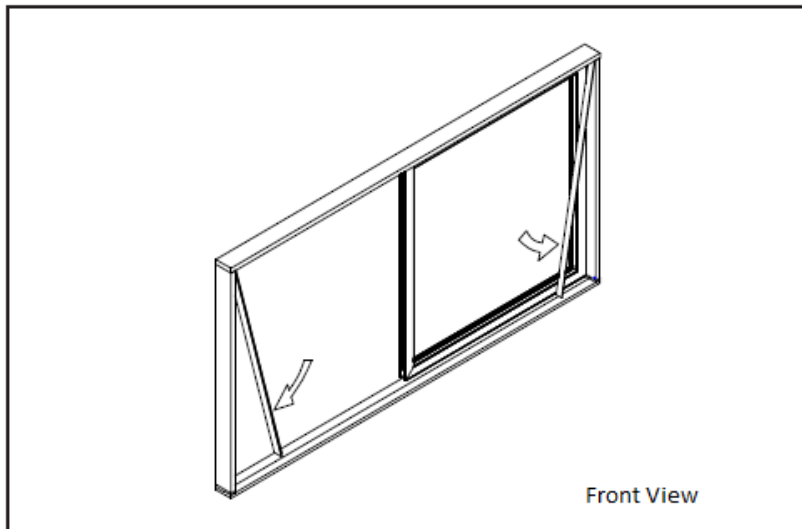
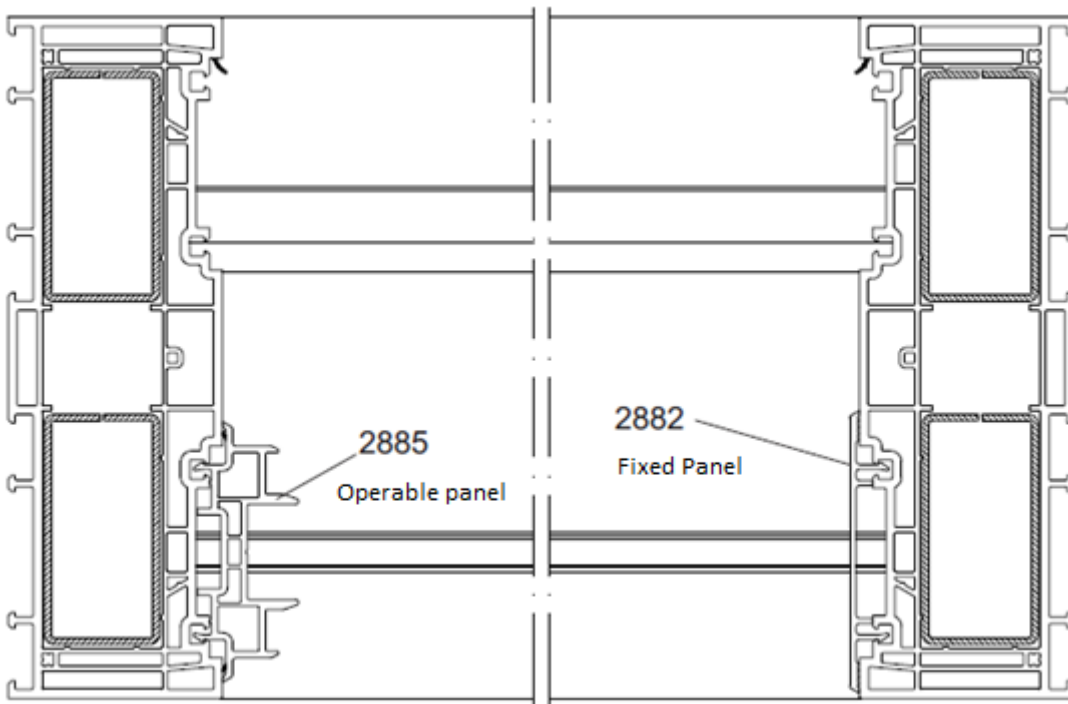
7. Install and secure the cover **M029** with $\text{Ø}3.9 \times 19$ mm screw

Step 5

Installing the vertical covers:

The covers 2882 and 2885 must be fitted before the track can be installed. Measure out, trim and clip in the profiles on the frame. Cover 2885 is used on the operable panel and Cover 2882 is used on the fixed Panel

Top View



Step 6

Install sliding sash in order shown. **NOTE: The rail on step 1 needs to be at least 2 inches shorter so it won't interfere with the slide sash when moved from right to left.**

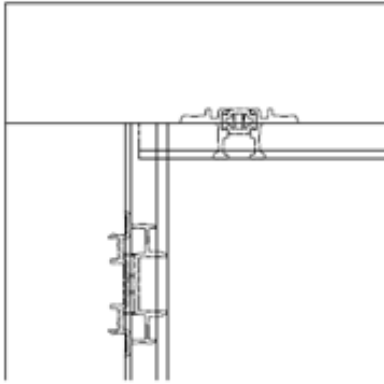
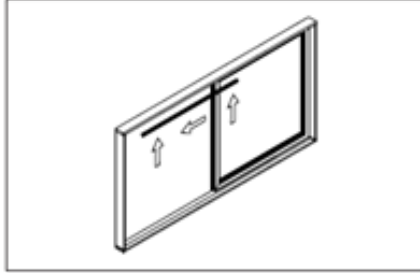
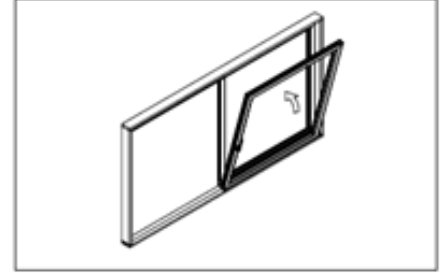


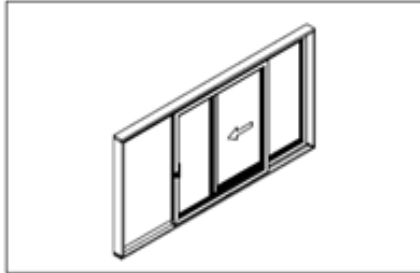
Fig 1 – Track in the side of the guide profile



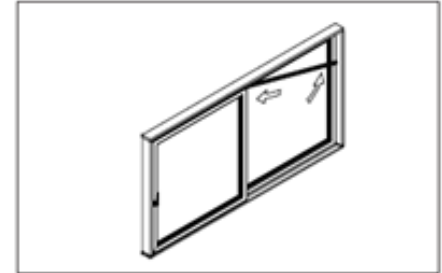
1. Press the rail against the side of the guide profile (Fig 1). Screw in place in the casement!



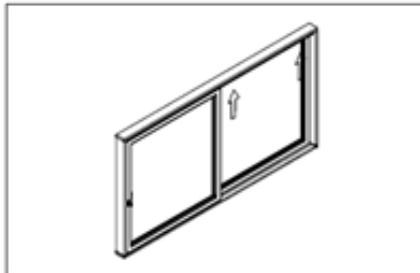
2. At the aperture position and align the hinged sash without the top guide rail to the bottom track.



3. Pull the hinged sash over the preassembled section to the locking side.



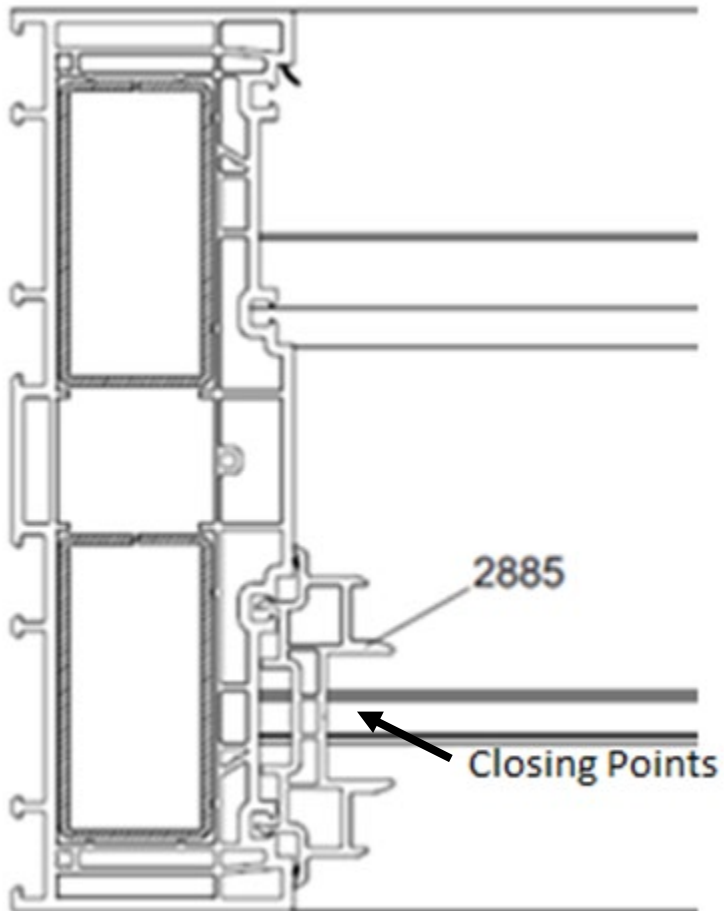
4. Push the second rail at an angle over the sash until it comes up against the first, and align this.



5. Screw the second rail to the casement.

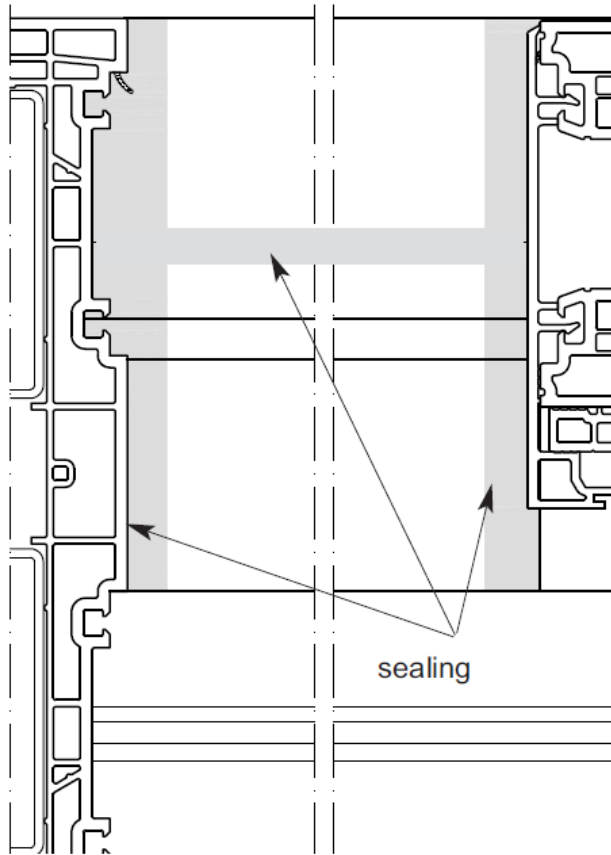
Step 7

Insert profile 2885 into the closing points and make them coincide with the holes on the closing of the panel that slides. Use Screws # 10" x 3.5".



Step 8

First apply silicone over the whole surface of the threshold to seal the ends of the profile on the left and right as shown below from the top view.



Next apply silicone to the whole width of where the transition between the connecting profile and threshold profile meet as shown in figure 1. Place the cover 9S76.4 on the threshold as shown.

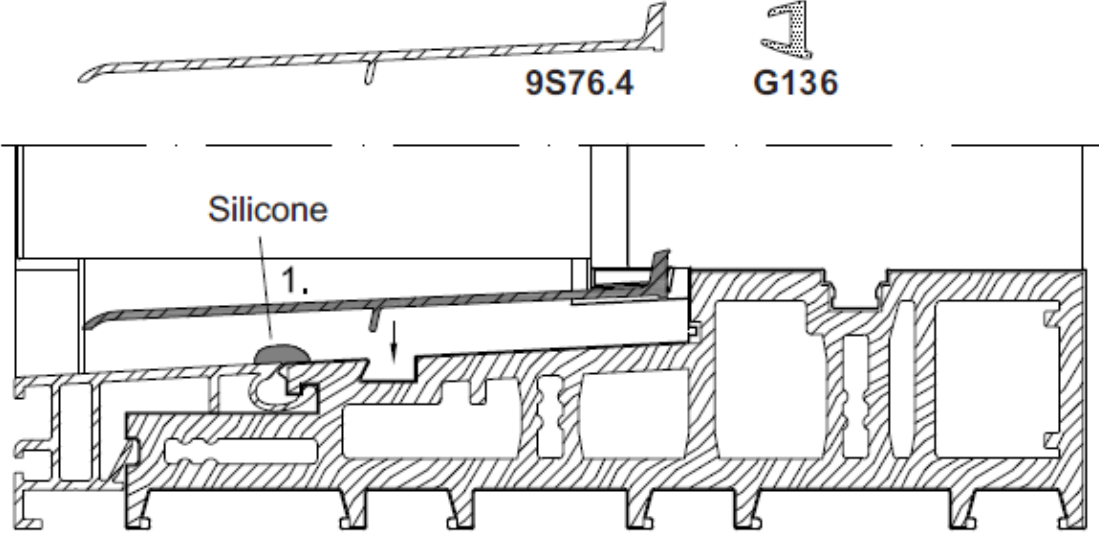


Fig. 1.

Next Press in the seal G136 and secure both ends with superglue to counteract seal shrinkage.

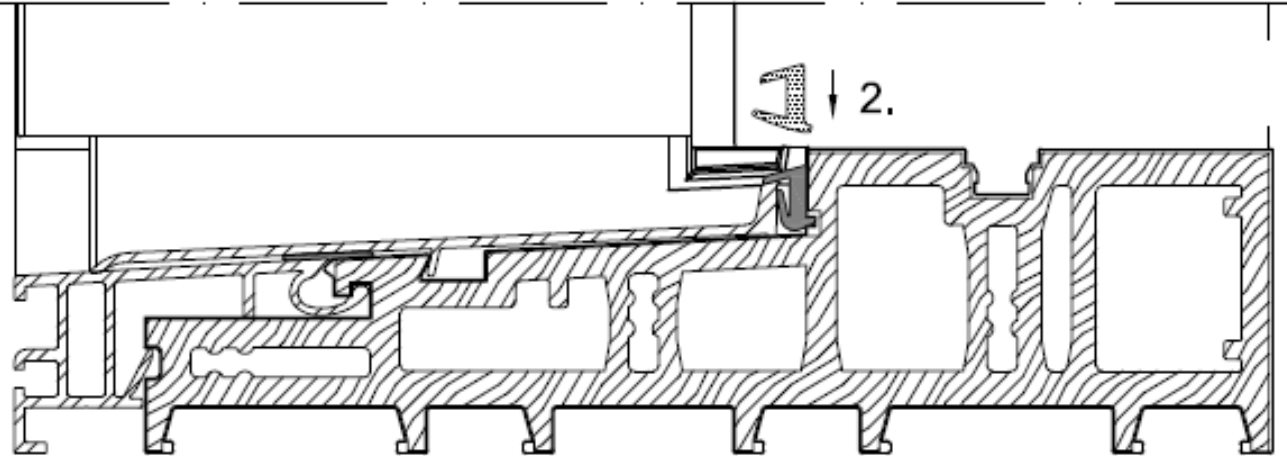


Fig. 2.

Step 9

Attaching the cover onto the frame top.

Apply a small amount of silicone to the trim profile as shown in figure 1. Apply the silicone about 100mm from the end of the profile and then at 400mm intervals along the profile. Then attach it to the frame.

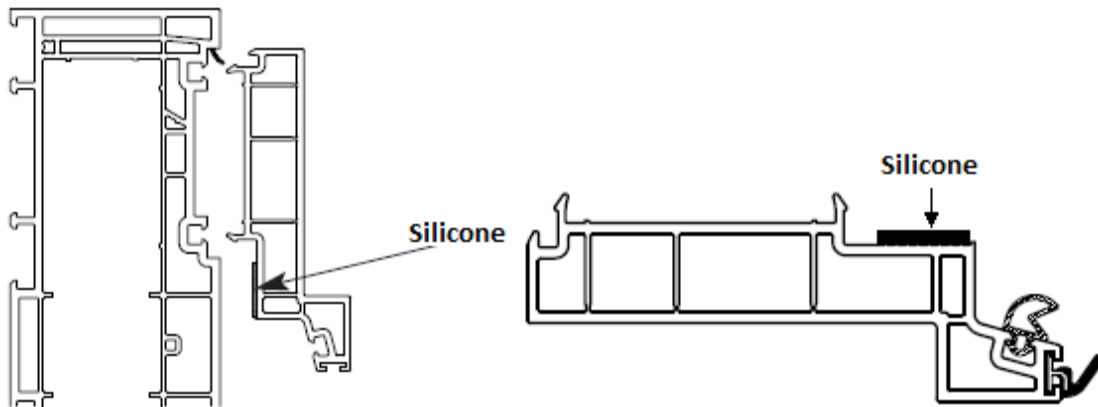
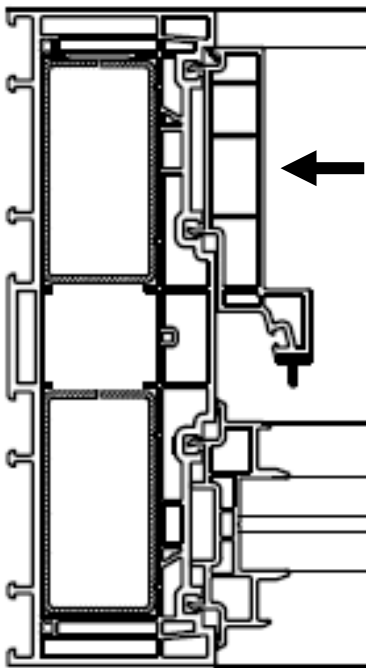


Fig. 1 Silicone application on Cover trim

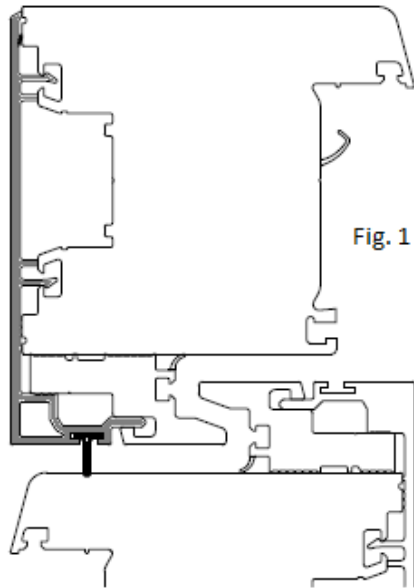
Step 10

Put the cover on the vertical jamb where the sliding panel closes. As shown in the figure below.



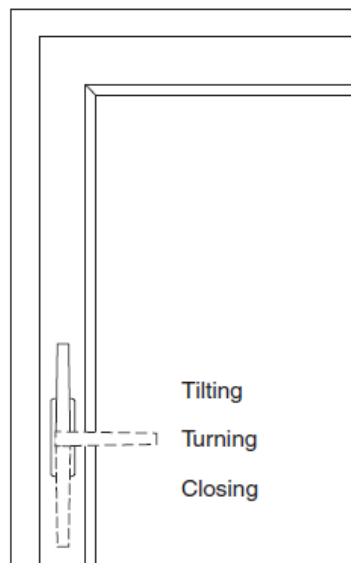
Step 11

Install the cover on the fixed panel as shown in Figure 1. Next with the slide panel closed install the cover in the same way as the fixed panel. Keeping it in the closed position is so there is no friction on the track when installing the cover.



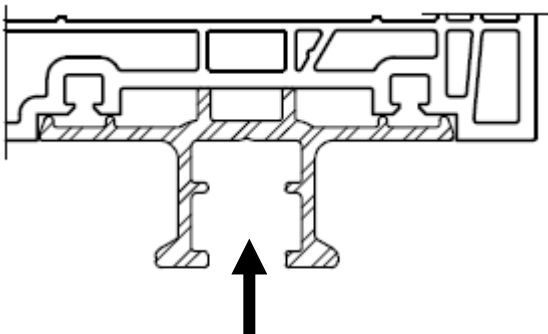
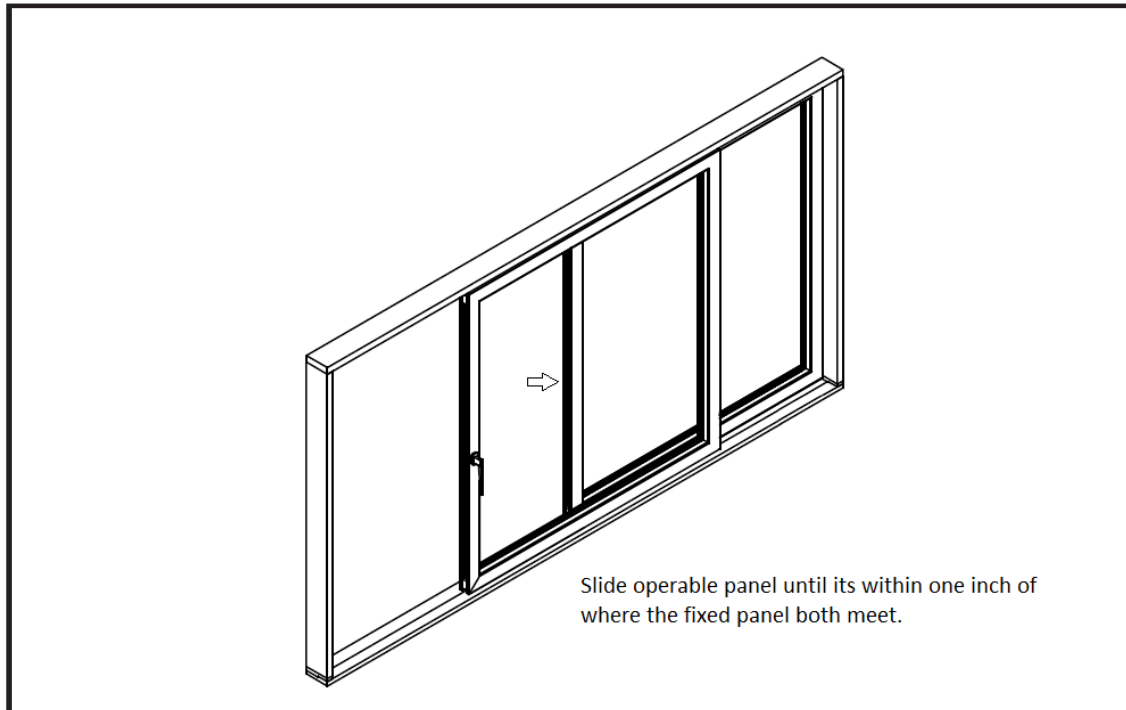
Step 12

To mount the handle put the spindle guide into the center of the hole allowing it to enter the lock inside the panel. Put the handle covers on the inside and outside and screw them onto the panel. Put the handle on the spindle guide with the long side facing down and tighten the Allen screw on top to secure it in position. Make sure the handle turns in a counterclockwise motion from down to up to lock the panel in place.



Step 13

Move the operable panel until it's within an inch of crossing the fixed panel. Mark the location where you will mount the door stopper in reference to the previous step. Drill the hole for the door stoppers guide using a 9mm or 3/8" drill bit. Once the guide is inserted fix it in place by using a 3.5mm or 1/8" to drill the hole to use #10 x 2.5" screw. After inserting the screw, put the cover over the hole.



Insert stopper in this section
of the rail