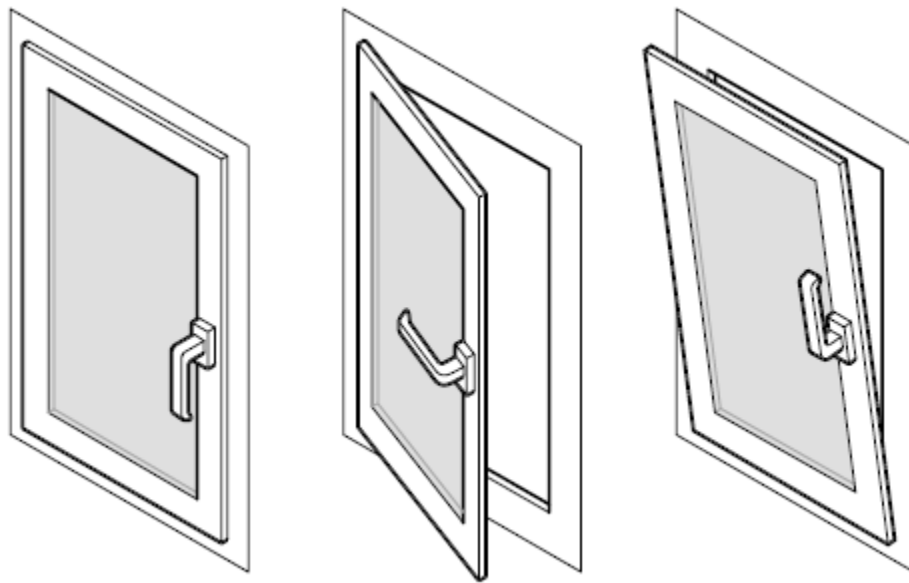




Installation instructions for Inswing and Outswing windows

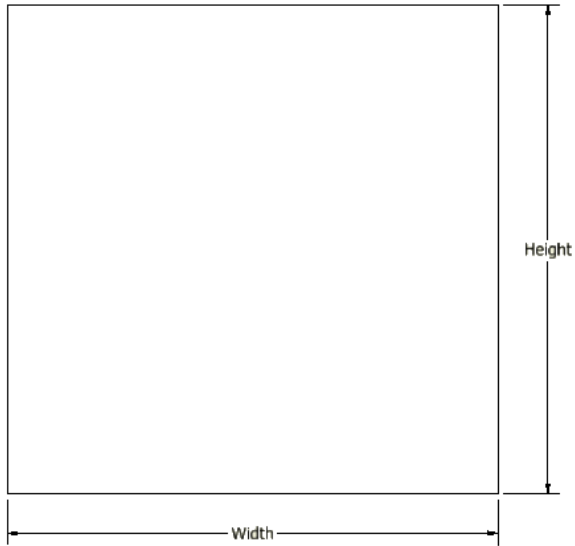


Step 1

Open the frame package and you will find #10 x3.5" screws to use for installation.

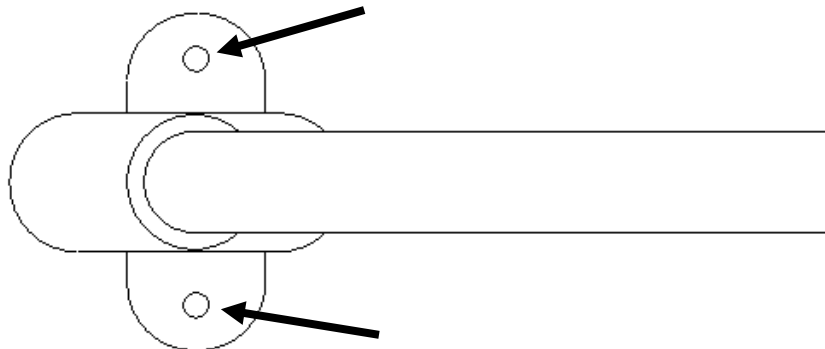
Step 2

Measure the opening to ensure the window will fit.



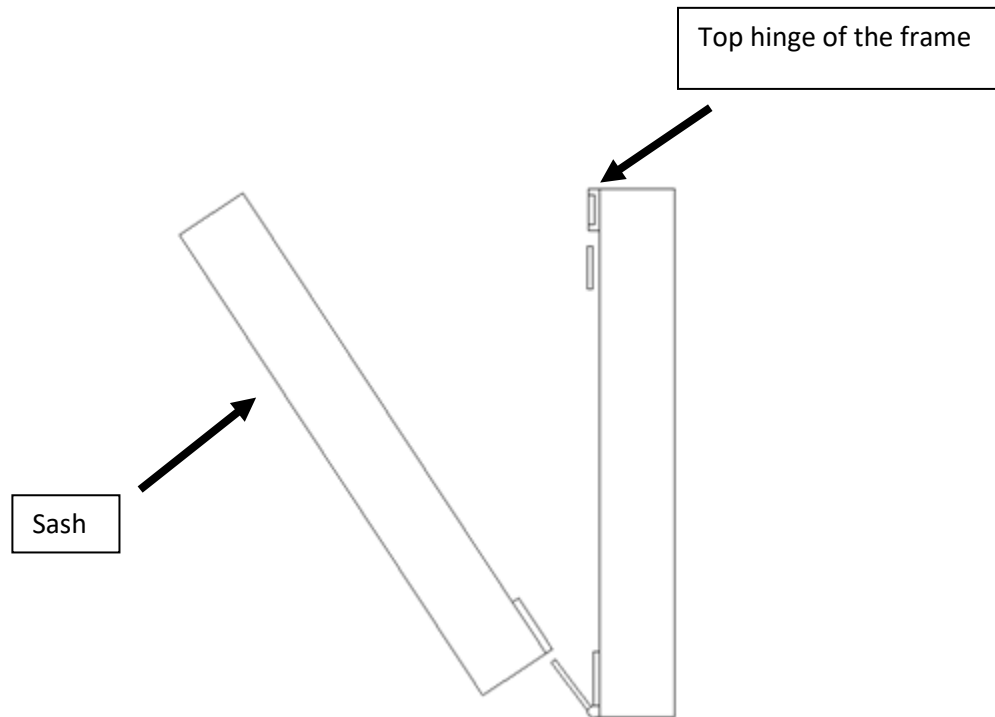
Step 3

Insert handle onto the sash firmly to ensure its spindle is all the way in. Next turn the handle counterclockwise and turn the cover plate as shown to insert the screws.



Step 4

Remove sash from frame by taking out the pin from top hinge, then incline the sash out and lift it off the bottom hinge pin as shown below.



Step 5

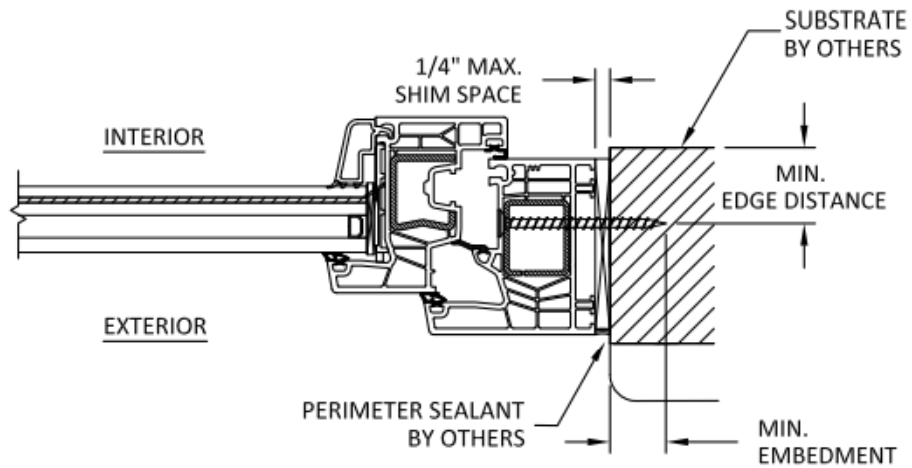
Shim the opening as required at each installation anchor with load bearing shims. The maximum allowable shim stack is $\frac{1}{4}$ inch thick. Apply Dowsil 790 to affix the shims to the opening. The shims must be made of high-density plastic or better.

A 1x wood buck may be used if the minimum embedment and edge distance requirements are met.

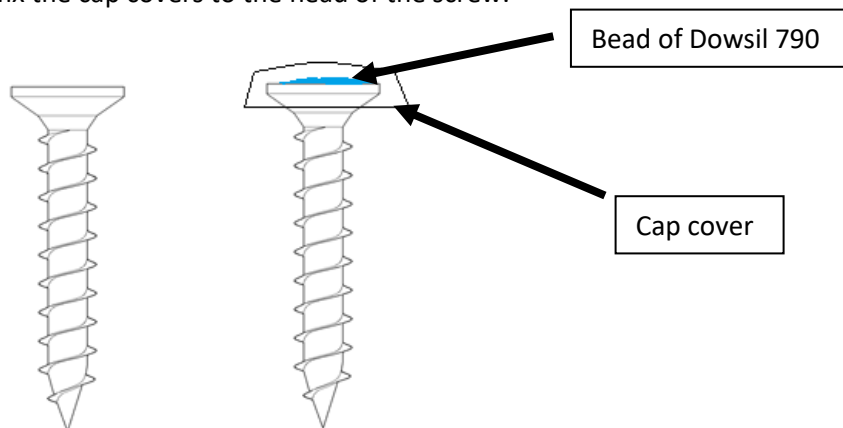
Step 6

Based on the substrate, use this table to correctly pick the anchor schedule and its minimum embedment.

METHOD	SUBSTRATE	ANCHOR SCHEDULE	MIN EMBEDMENT	MIN. EDGE DISTANCE
THROUGH FRAME	WOOD: MIN. SG = 0.55	#10 WOOD SCREW FLAT HEAD	1.5"	0.75"
	METAL: 18 GAUGE Steel, MIN. Fy = 33KSI	#10 TEK SCREW FLAT HEAD	3 THREADS MIN PENETRATION BEYOND METAL	0.5"
	CONCRETE: MIN. f _c =3000PSI	3/16" ITW TAPCON FLATHEAD	1.25"	2.5
	MASONRY: CMU per ASTM C90 MIN. 2000 PSI	3/16" ITW TAPCON FLATHEAD	1"	2.5

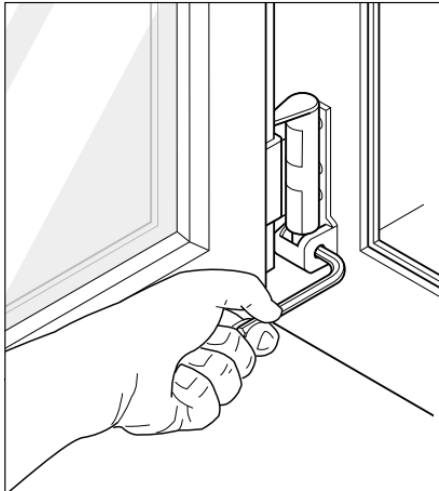


Then anchor the frame into the opening and apply some Dowsil 790 onto the head of the anchor screws and then affix the cap covers to the head of the screw.

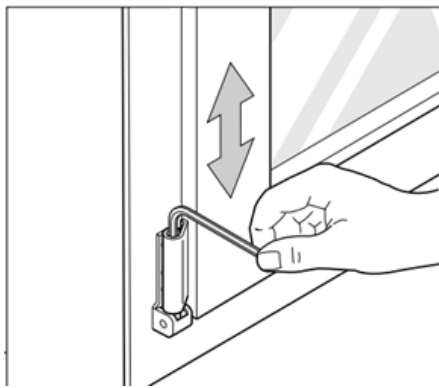


Step 7

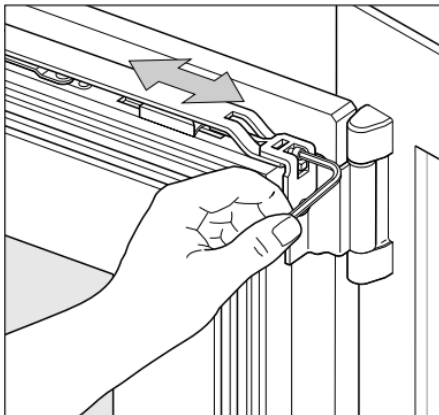
Mount the sash back onto the frame to begin adjusting for the fit and position of the sash on the frame.



Use an allen wrench to adjust the sash towards the hinge or away from it.



Next use an allen wrench to adjust the sash height.



Now adjust the upper hinge so the sash either moves towards the upper hinge or away from it.

Step 8

Apply Dowsil 790 to the exterior portion of the frame along the perimeter as shown in the figure above.