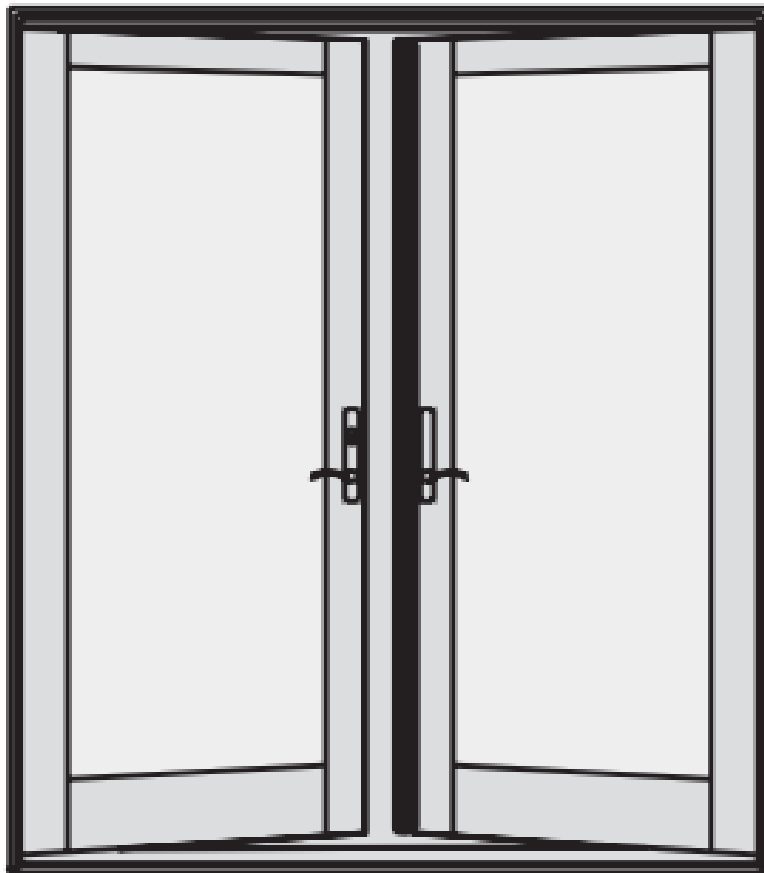




## Installation instructions for French Doors



## Step 1

Open the frame package and you will find #10 x3.5" screws to use for installation.

## Step 2

Measure the opening to ensure the doors will fit.

## Step 3

Shim the opening as required at each installation anchor with load bearing shims. The maximum allowable shim stack is ¼ inch thick. Apply Dowsil 790 to affix the shims to the opening. The shims must be made of high-density plastic or better.

A 1x wood buck may be used if the minimum embedment and edge distance requirements are met.

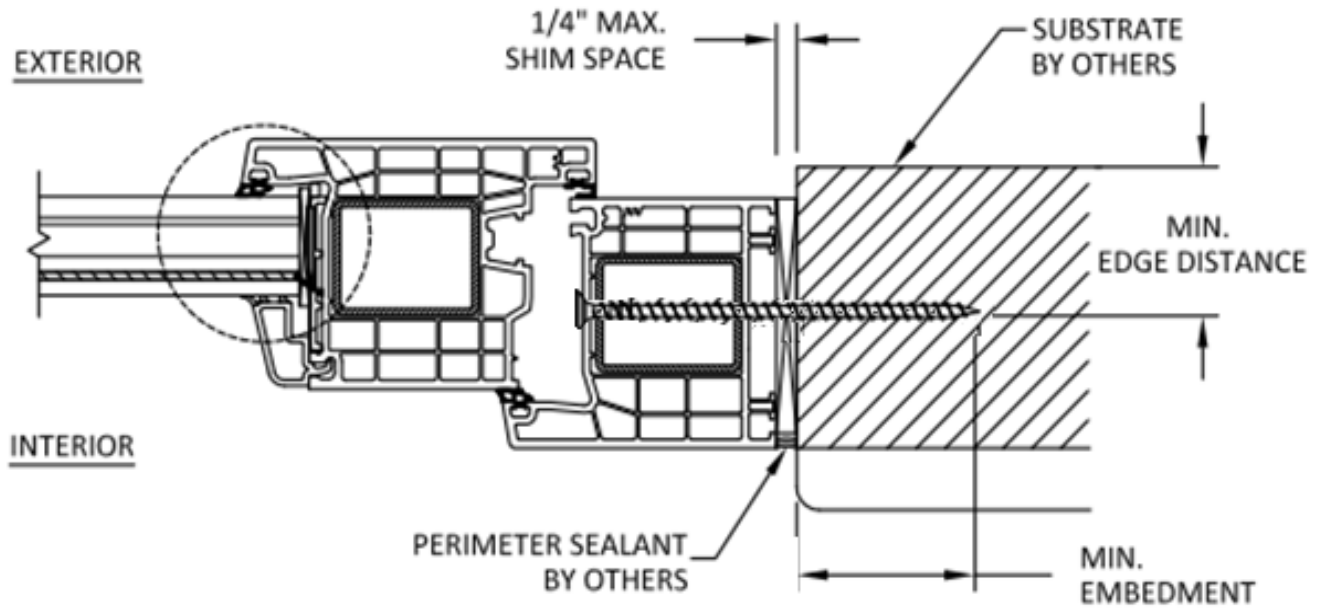
## Step 4

Based on the substrate, use this table to correctly pick the anchor schedule and its minimum embedment.

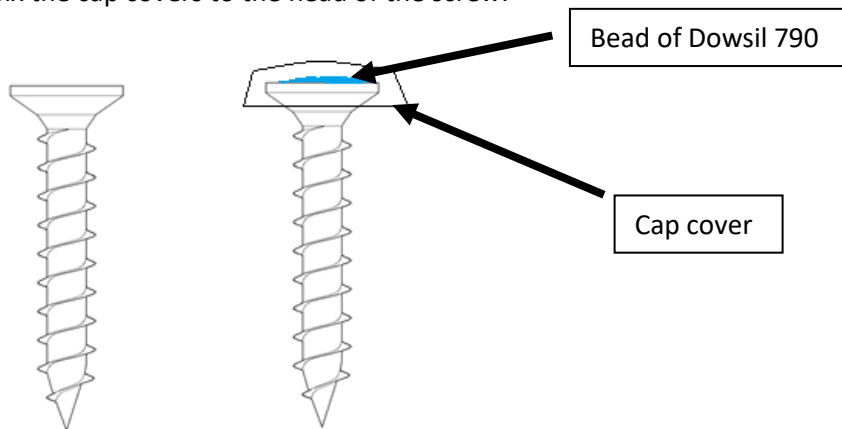
METHOD	SUBSTRATE	ANCHOR SCHEDULE	MIN EMBEDMENT	MIN. EDGE DISTANCE
THROUGH FRAME	WOOD: MIN. SG = 0.55	#10 WOOD SCREW FLAT HEAD	1.5"	0.75"
	METAL: 18 GAUGE Steel, MIN. Fy = 33KSI	#10 TEK SCREW FLAT HEAD	3 THREADS MIN PENETRATION BEYOND METAL	0.5"
	CONCRETE: MIN. f <sub>c</sub> =3000PSI	3/16" ITW TAPCON FLATHEAD	1.25"	2.0
	MASONRY: CMU per ASTM C90 MIN. 2000 PSI	3/16" ITW TAPCON FLATHEAD	1"	2.0

## Step 5

Mount the frame into the opening and install the anchors as previously described into the substrate.



Then anchor the frame into the opening and apply some Dowsil 790 onto the head of the anchor screws and then affix the cap covers to the head of the screw.



## Step 6

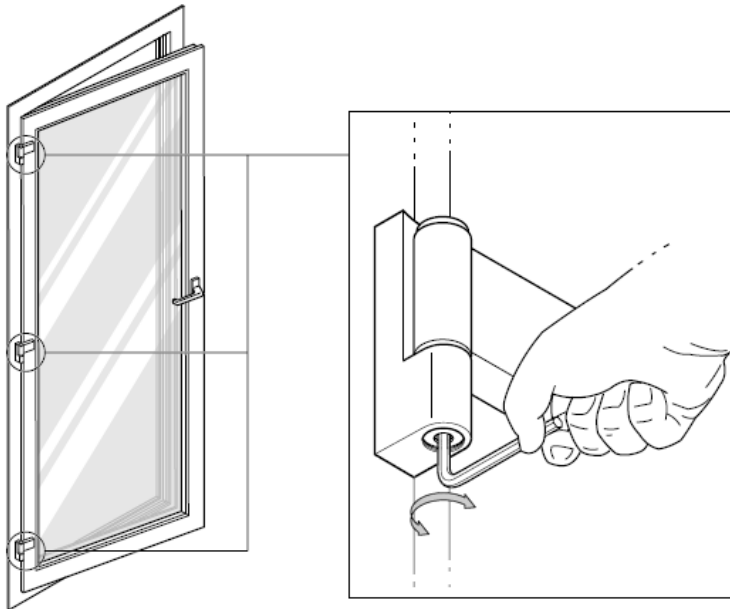
Install the door handles

## Step 7

Position the door 90° from where the door hinges are mounted. Next lift the door into the position of the hinges and insert the pins. Do the same procedure for the second door.

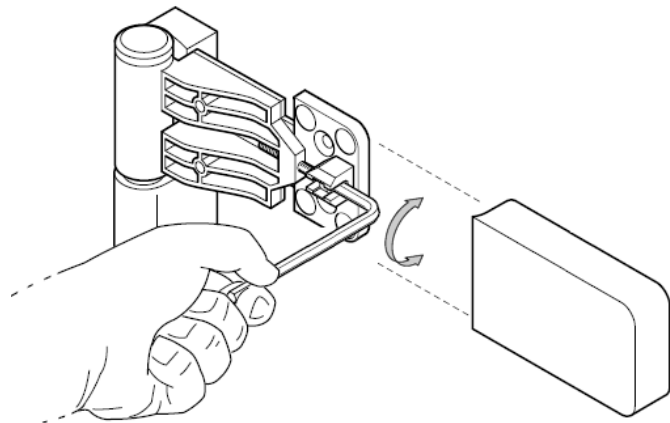
## Step 8

Adjust the door height by rotating the screw in the hinges for both doors.



## Step 9

Adjust the horizontal position by removing the hinge cover and adjust screw.



## Step 10

Open the main door with the locking assembly and do as follows to ensure the handle and locking system are correctly installed.



To test the installation of the door handle, turn the handle upwards and the multi-locks should move upwards.

Next turn the deadbolt to ensure its operation.



Test if the door lock assembly is functioning by pushing down on the door handle. The multi-locks should not move downward, and the deadbolt should not go back into the recess.

## Step 11

Apply Dowsil 790 around the perimeter of the exterior and interior frame for sealing.