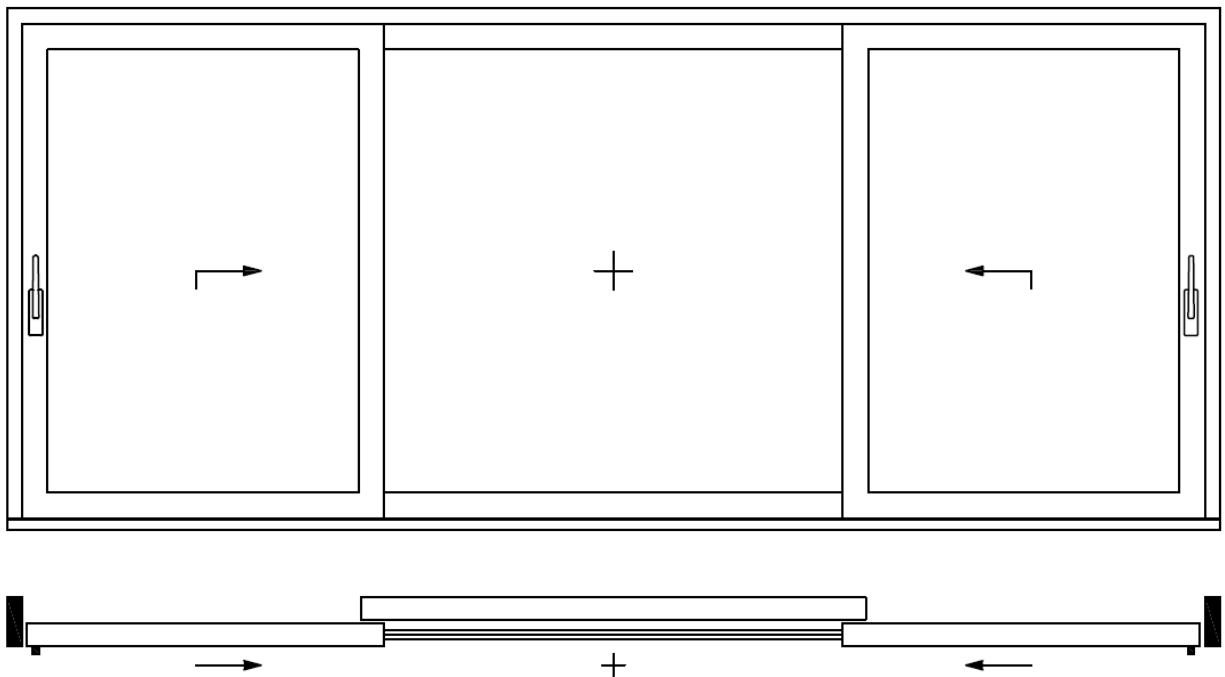




## Installation Instructions for Premidoor 3 Panel (OXO configuration)



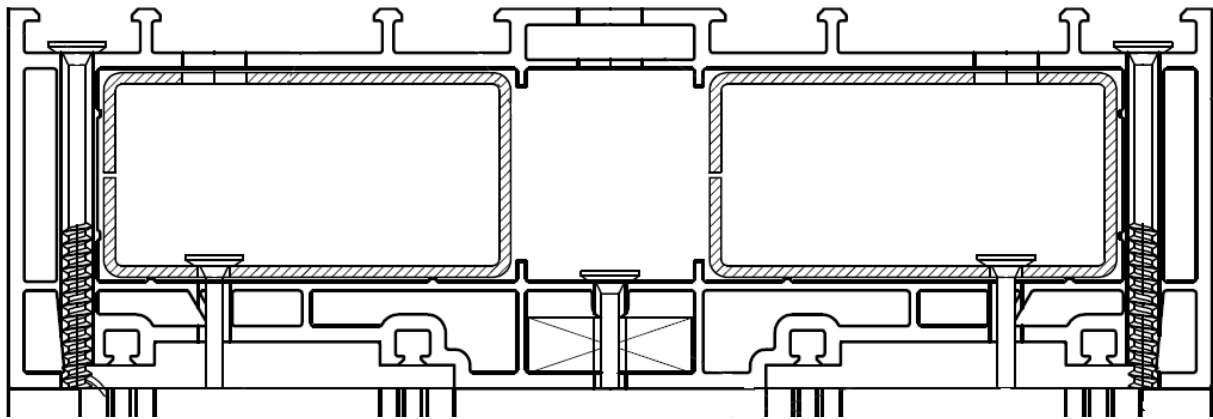
### Step 1

Open the frame package and you will find 20 #10 x3.5" screws to use for installation. Select the matching board to the profile of the Top, Bottom and Jamb. Note: The gasket must be facing towards outside of the house on the frame.

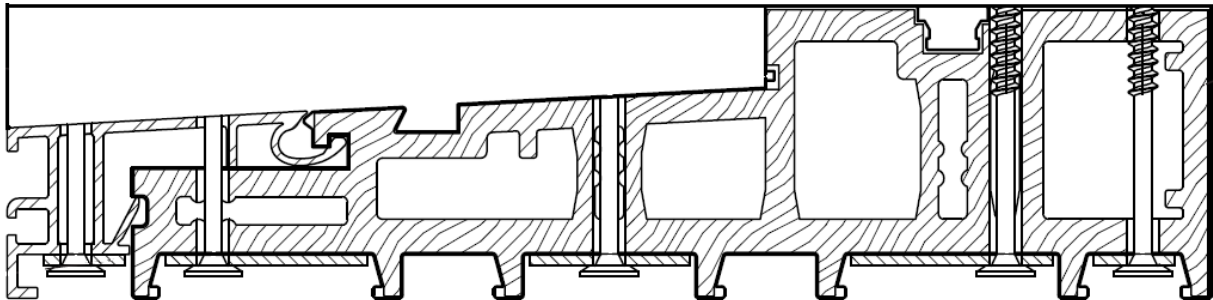
---

### Step 2

Using screws #10 x 3.5" insert the into the Top frame as shown by the diagram.



Bottom of the frame should be secured with screws #10 x 3.5 in the locations as shown in the diagram.

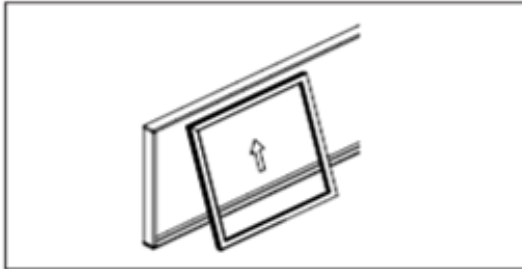


### Step 3

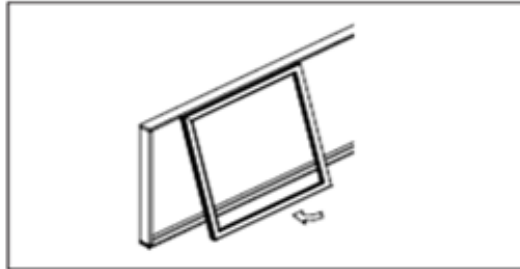
Install the frame into the opening.

## Step 4

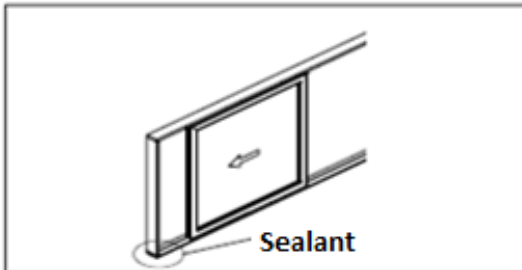
Install the weather side fixed sash in the following order.



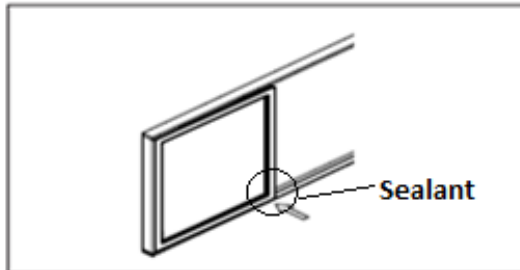
1. Introduce the sash in the top casement section



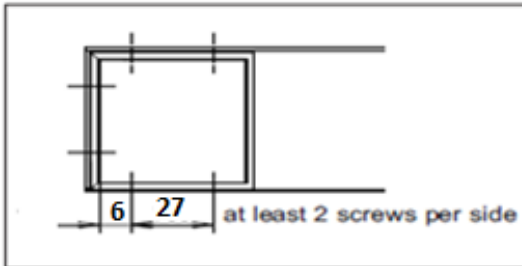
2. Pull the bottom sash section down to the threshold or track section.



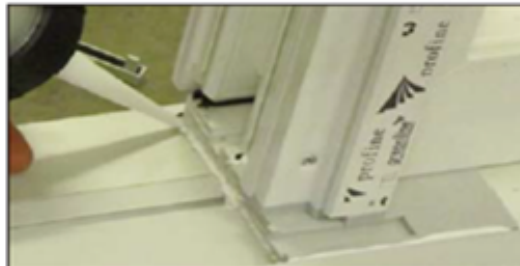
3. Press the sash against the vertical casement. Apply sealant on the corner and along the track where the sash goes.



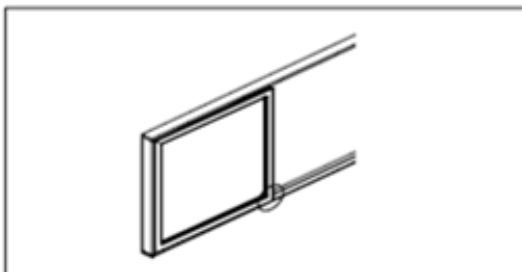
4. Pull the bottom sash section to the stop. Secure at this position with e.g. screw clamps (shims required)



Secure the sides and top of the System A sash with #10 x 3.5 in screws and the bottom with #10 x 3.5 in screws, each 6 in from the sash rebate's inside corner.



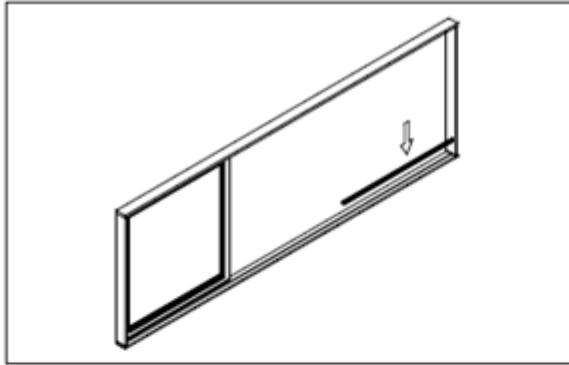
6. Seal the fixed sash before fitting the cap M029



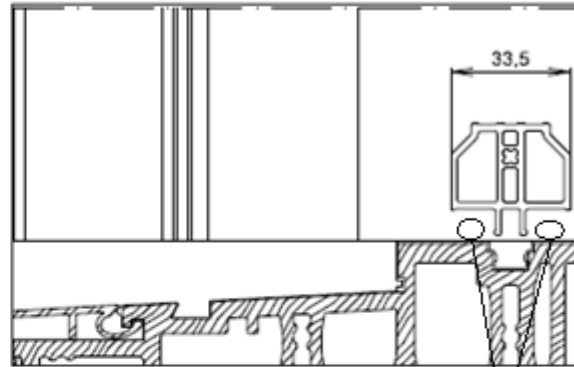
7. Install and secure the cover M029 with #8 x 0.75 in screw

## Step 5

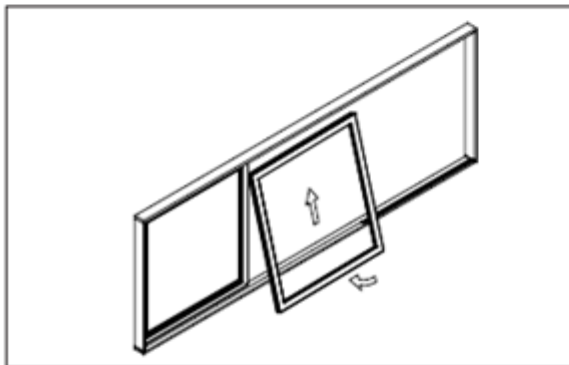
Install the indoor fixed sash in the following order.



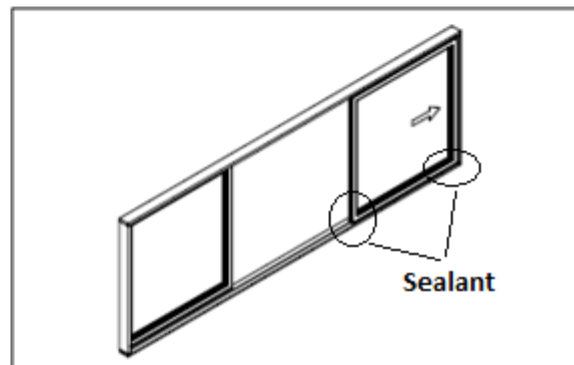
1. Engage milled profile M085 in the threshold.



Sealant

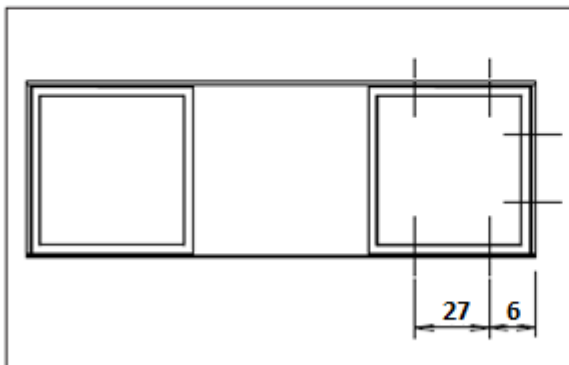


2. Introduce the sash in the top casement section. Pull the bottom sash section down to the threshold or track section.



Sealant

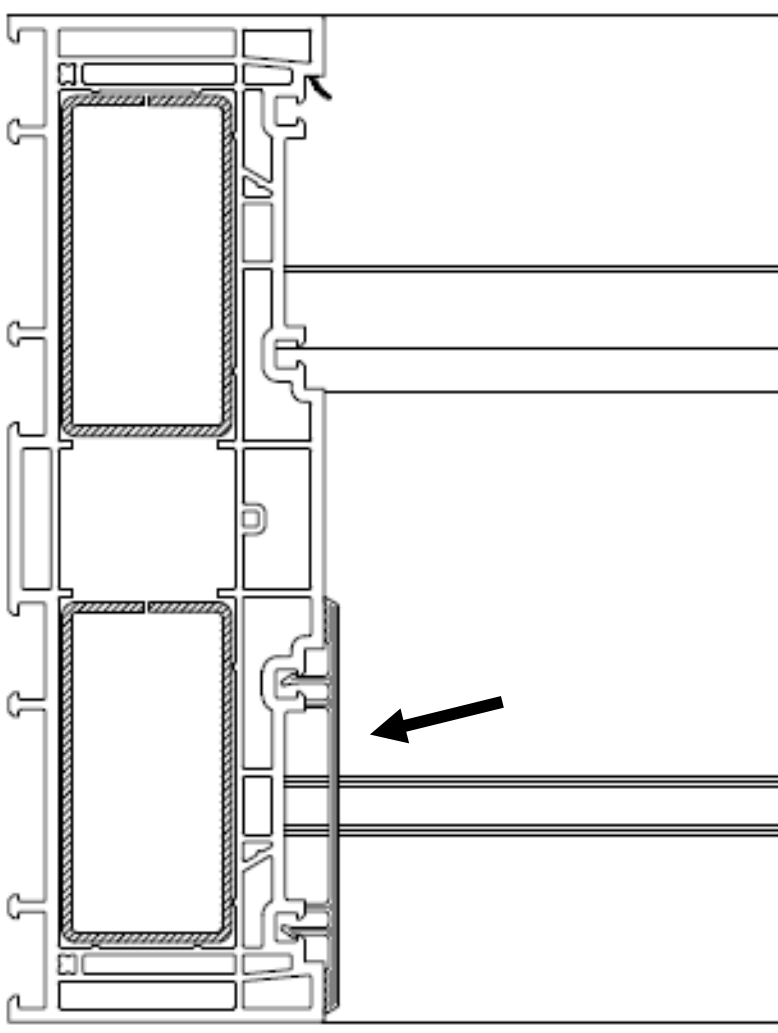
3. Push sash over M085 up to the casement.



4. Secure the sides and top of the sash with #10 x 3.5 in screws and the bottom with #10 x 3.5 in screws

**Step 6**

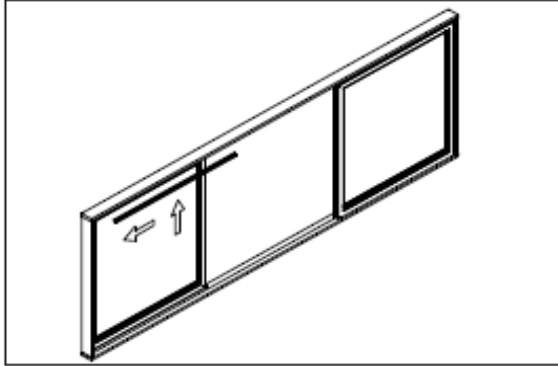
Install the vertical covers as shown below.



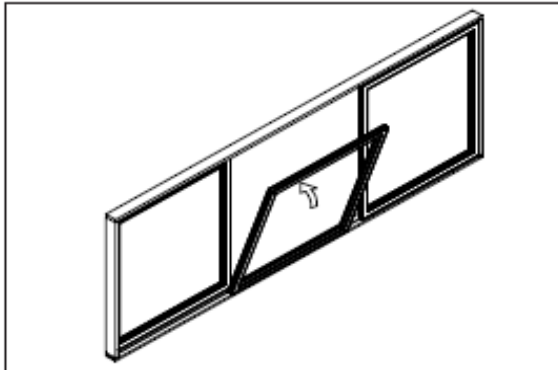
Top View

## Step 7

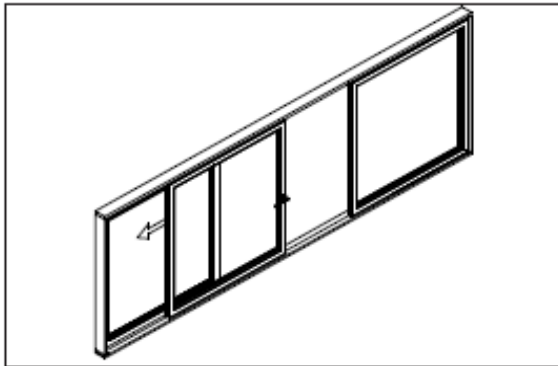
Install the sliding sash as shown below



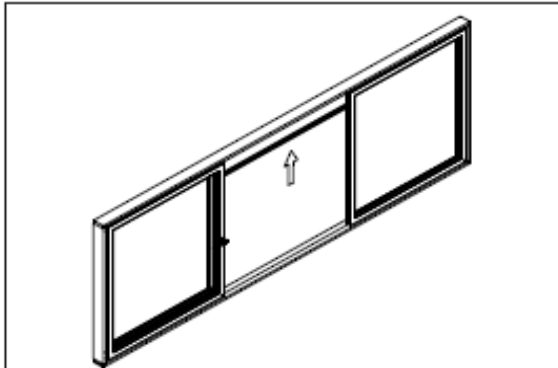
1. Place and install the guide rails on the outside of the casement.



2. Position and align the sliding sashes at the centre of the bottom track. Push the sash into the guide rails, and open it completely.



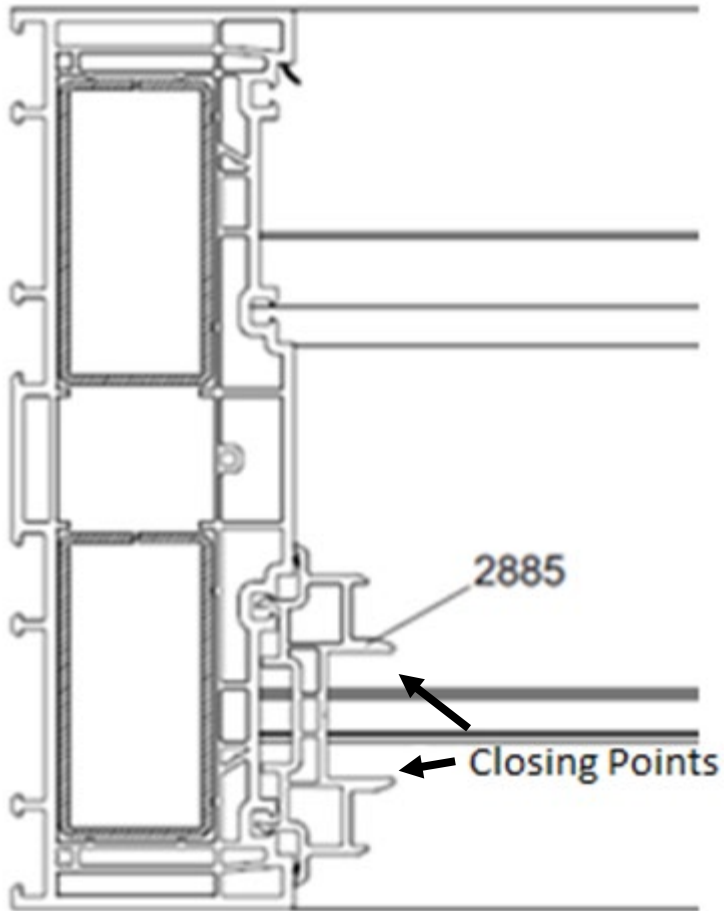
3. Push the sash into the guide rails, and open it completely.



3. Join the guide rail at the centre of the previously installed tracks, align it flush to the geometry, and secure it in place.  
**IMPORTANT**  
There must be no gaps or projections at the joined guide rails.

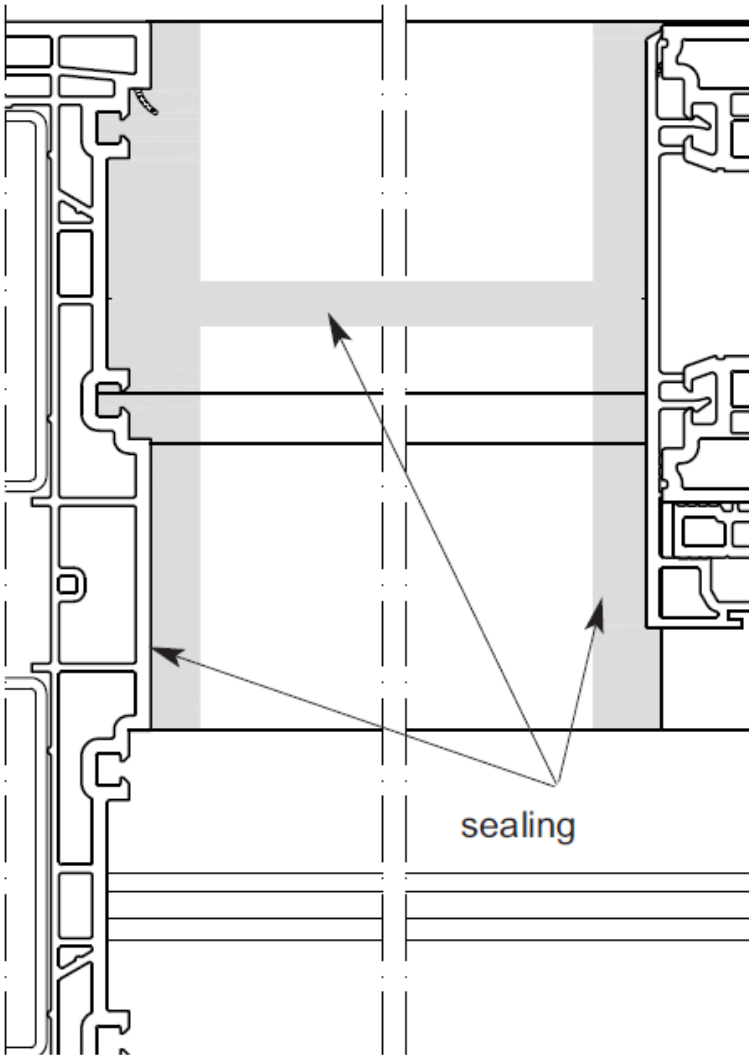
**Step 8**

Insert profile 2885 into the closing points and make them coincide with the holes on the closing of the panel that slides. Use Screws # 10" x 3.5".



### Step 9

First apply silicone over the whole surface of the threshold to seal the ends of the profile on the left and right as shown below from the top view.





Next apply silicone to the whole width of where the transition between the connecting profile and threshold profile meet as shown in figure 1. Place the cover 9S76.4 on the threshold as shown.

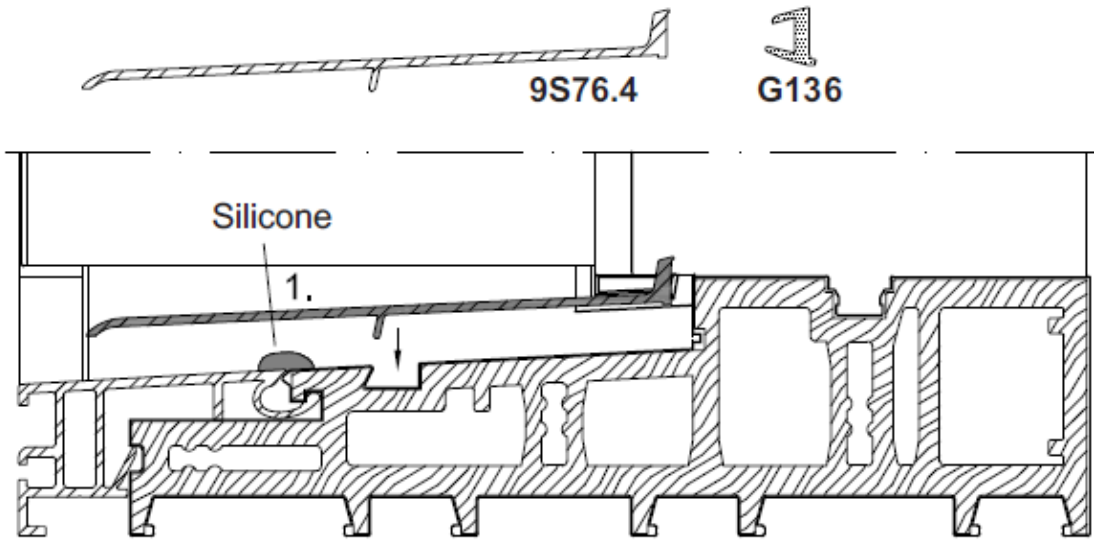


Fig.1.

Now Press in the seal G136 and secure both ends with superglue to counteract seal shrinkage.

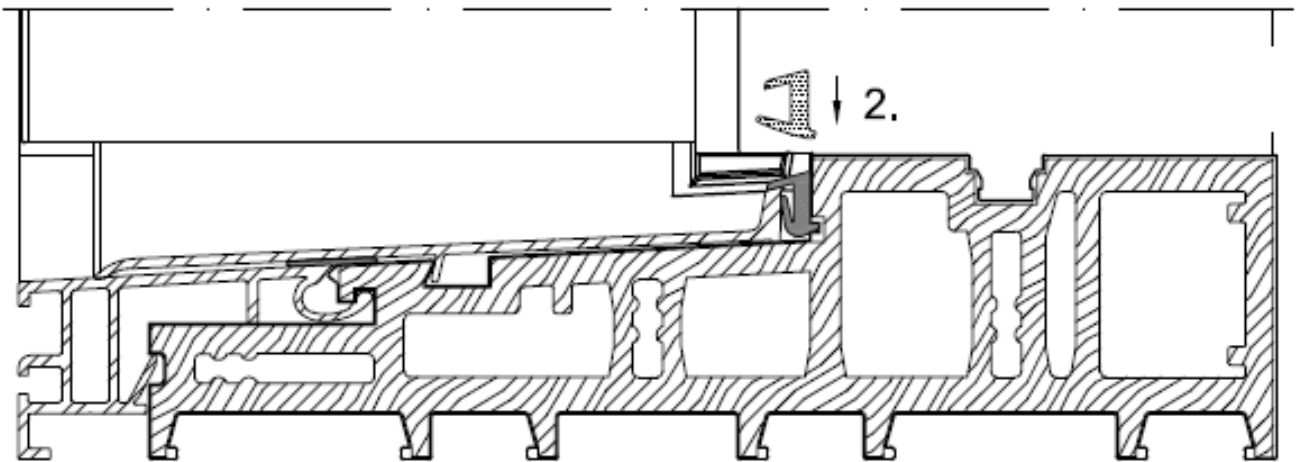


Fig.2.

### Step 10

Attaching the cover onto the frame top. Apply a small amount of silicone to the trim profile as shown in figure 1. Apply the silicone about 100mm from the end of the profile and then at 400mm intervals along the profile. Then attach it to the frame.

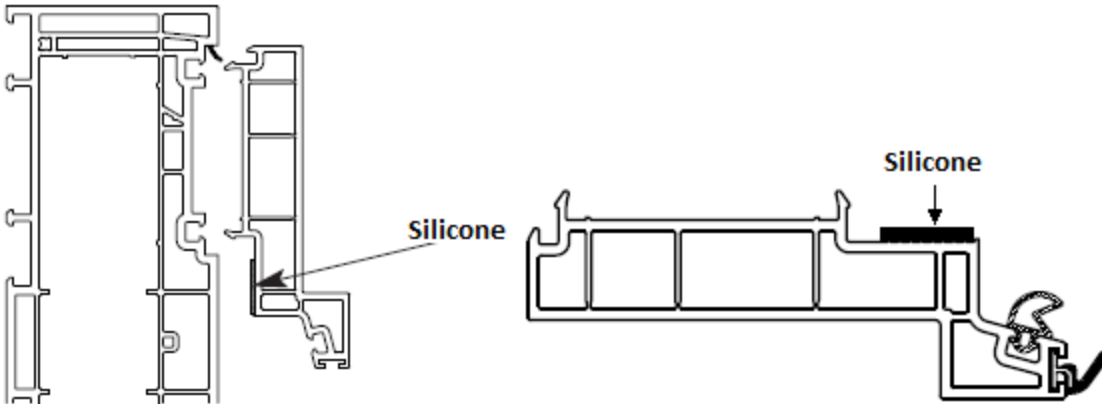
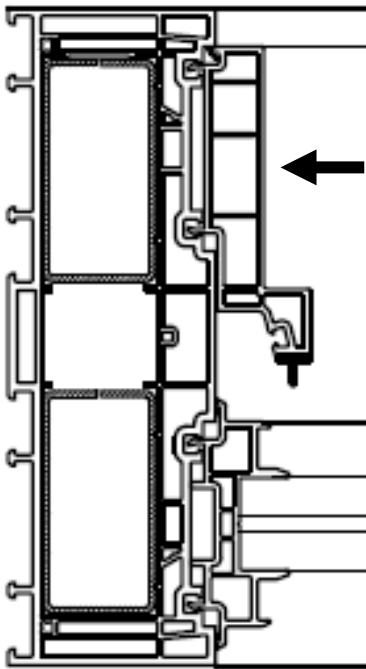


Fig. 1 Silicone application on Cover trim.

### Step 11

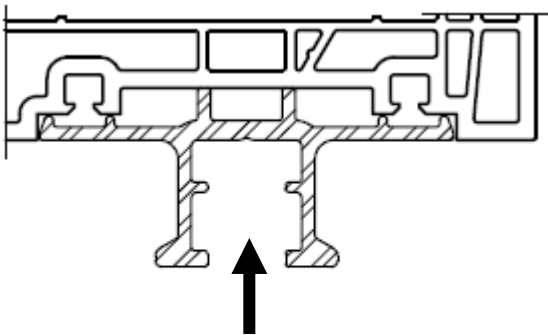
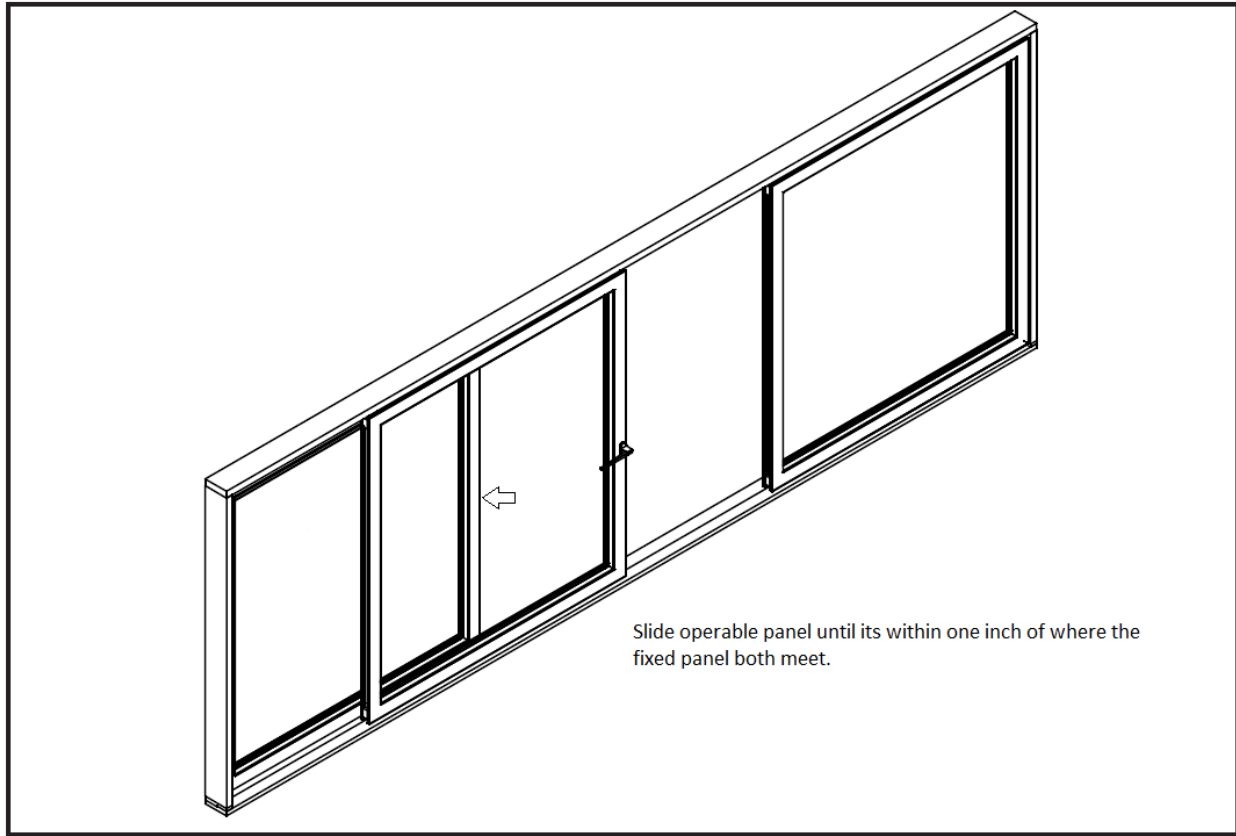
Put the cover on the vertical jamb where the sliding panel closes. As shown in the figure below.





### Step 14

Move the operable panel until it's within an inch of crossing the fixed panel. Mark the location where you will mount the door stopper in reference to the previous step. Drill the hole for the door stoppers guide using a 9mm or 3/8" drill bit. Once the guide is inserted fix it in place by using a 3.5mm or 1/8" to drill the hole to use #10 x 2.5" screw. After inserting the screw, put the cover over the hole.



Insert stopper in this section of the rail